


No:91040360

1 Geräteliste

Teil	Beschreibung	Sachnummer	Position	Teil	Beschreibung	Sachnummer	Position
A1	Steuerung Modul 1 / 36V	97176333	11.3D, 9.1C, 9.5D, 10.1C, 10.4D, 11.1C, 12.8D, 12.9E, 14.5A, 14.5A, 16.1A, 16.3A, 19.2A, 19.4A, 20.5A, 20.6A, 21.3A, 21.3A	E9	Blinker links seitlich indicator side left	92073865	18.2F
A2	Steuerung Anzeige controller display	97160949	20.2A, 8.1C, 8.5D, 14.6A, 14.7A, 20.2A	E10	Blinker rechts seitlich indicator side right	92073865	18.7F
A4	Steuerung Fahren Front 36V/250A drive controller front 36V/250A	92042746	14.5D, 14.1D	E11	Arbeitsscheinwerfer rechts working headlight right	92080324	16.2D
A5	Steuerung Fahren Heck 36V/250A drive controller rear 36V/250A	92042753	15.3D, 15.1C	E12	Arbeitsscheinwerfer hinten working headlight rear	92080324	16.2G
A6	Steuerung Modul 1 / 36V	97176333	20.6A, 9.7C, 9.8D, 10.7C, 10.8D, 11.4C, 11.5D, 12.1D, 12.4E, 13.1D, 13.5D, 16.6A, 16.7A, 17.6A, 17.7A, 20.7A, 21.5A, 21.5A	E14	BlueSpot Lenkturm LED bluespot steering unit LED	97162085	16.8F
A9	Steuerung Lenken controller steering	97152623	21.2E, 21.1D	E15	BlueSpot hinten LED bluespot rear LED	97162085	16.7F
A10	Steuerung Chemiepumpe controller chemical pump	97148605	20.3E, 20.3D	E16	Blue Spot am Halter LED blue spot at holder LED	97162085	16.9F
A20	Fleetrekorder fleetrecorder	92058015	19.2D, 19.1D	E17	BlueSpot FSD LED bluespot overhead cover LED	97162085	16.10F
B3	Fahrgeber accelerator	97131882	14.2F	E18	Abblendscheinwerfer links LED driving light left LED	92053073	18.2F
B4	Drucksensor Frischwassertank	92013481	9.7A	E19	Abblendscheinwerfer rechts LED driving light right LED	92053073	18.8F
B5	Drucksensor Schmutzwassertank pressure sensor dirty water tank	92013481	9.8A	E21	Blitzleuchte am Stab flashlight at bar	97084222	16.5F
B7	Lenkwinkelgeber steering unit	92036813	22.4D	E21	Blitzleuchte am Stab flashlight at bar	97177240	16.6F
B8	Winkelsensor teilredundant	97177125	22.6D	E22	Positionsleuchte links vorne position light front left	97155436	18.3F
B18	Durchflussmengenmesser flow meter	90596529	9.5A	E23	Positionsleuchte rechts vorne position light front right	97155436	18.8F
B20	I-Button reader I-Button reader	97131429	19.3D, 19.3D	E24	Laser 10-30V	92096684	20.8E
B27	Kamera camera	92701325	21.6D	F1	Sicherung Schlüsselschalter 7,5A fuse keyswitch 7,5A	19731587	6.5E, 6.2D
B27	Kamera camera	92091594	21.8F	F2	Sicherung Steuerung A1 125A fuse controller A1 125A	19731140	6.2D, 6.2D
C1	Entstörkondensator 220nF suppressor capacitor 220nF	90288879	8.4F	F3	Sicherung Fahren 355A fuse drive 355A	19731372	6.1D, 6.1D, 6.1D
E1	Arbeitsscheinwerfer links working headlight left	92080324	16.1D	F8	Sicherung Steuerung A6 125A fuse Steuerung A6 125A	19731140	6.2D, 6.3D
E2	Blitzleuchte Fahrerschutzdach flashlight overhead cover	97084222	16.3F	F9	Sicherung Lenken 30A fuse steering 30A	19731595	6.3D, 6.4D
E2	Blitzleuchte Fahrerschutzdach flashlight overhead cover	97177240	16.4F	F10	Sicherung Hochdruckreiniger 80A fuse high-pressure cleaner 80A	19731520	6.4D, 6.4D
E5	Mehrkammerleuchte hinten links combination light rear left	92042811	18.4E	F11	Sicherung StVZO 15A fuse road traffic act 15A	19731207	6.7E
E6	Mehrkammerleuchte hinten rechts combination light rear right	92042811	18.6E	F19	Sicherung Hupe / Fleet 5A fuse horn / fleet 5A	19731272	6.6E
E7	Blinker vorne links indicator front left	92073865	18.1F	F20	Sicherung Anzeige 5A fuse display 5A	19731272	6.6E
E8	Blinker vorne rechts indicator front right	92073865	18.6F	F30	Sicherung Positionsleuchte li 5A fuse position light left 5A	19731181	18.3B
				F31	Sicherung Positionsleuchte re 5A fuse position light right 5A	19731181	18.4B
				F32	Sicherung Abblendlicht 5A fuse low-beam headlights 5A	19731181	18.2B
				F33	Sicherung Bremslicht 5A fuse brake light 5A	19731181	17.6B
				F34	Sicherung Rückfahrlicht 5A fuse backup light 5A	19731181	17.6B
				F35	Sicherung Blinkgeber 5A fuse flasher unit 5A	19731181	17.5B
				G1	Batterie 36V 320A 810Ah battery 36V 320A 810Ah	92016385	6.2A
				G1	Batterie 36V 320A 540Ah battery 36V 320A 540Ah	92015270	6.4A
				H1	Hupe 335Hz horn 335Hz	90194911	8.4F


Freigabevermerk:	4	*/	4537-00	21.07.2022	Ri	Date	Name	<b>B400 R</b>	Name	<b>Schaltplan B400 R / circuit diagram B400 R</b>		Drawing Number	<b>A2</b>	
	No.	Number appears	Change No.	Date	Name	Printed	22.07.2022	Replacement for			Hako GmbH D-23840 Bad Oldesloe	<b>91040360</b>		
For this drawing we reserve all rights (acc. DIN ISO 16016)										Engineering Base 6.9.1	Type 7437	Dept. DS	No. of Sh.28	Sheet 1

No:91040360

1 Geräteliste

Teil	Beschreibung	Sachnummer	Position
K1	Hauptschütz 36V main contactor 36V	92004282	6.3F, 6.2F, 6.2F, 6.2F, 6.2F, 6.3F
K2	Relais Fahrsteuerung Front relay drive controller front	92027176	14.1B
K3	Relais Fahrsteuerung Heck relay drive controller rear	92027176	15.1B
K8	Umpolungsrelais 36V turn-over relay 36V	90522533	13.6F
K20	Blinkgeber flasher unit	92076470	17.7F
K29	Relais Pumpe HDR relays high pressure pump	90267949	19.5E
K31A	Micro-Relais 24V micro-relay 24V	90567777	17.2D
K31B	Micro-Relais 24V micro-relay 24V	90567777	17.8E
M1	Fahrmotor Front drive motor front	97151526	14.5G
M2	Fahrmotor Heck drive motor rear	92030733	15.5G
M3	Tellerbürstenmotor links TB1230 plate brush motor left TB1230	90577248	10.2G
M3	Tellerbürstenmotor links TB1520 plate brush motor left TB1520	92012830	11.2G
M4	Tellerbürstenmotor rechts TB1230 plate brush motor right TB1230	90577248	10.3G
M4	Tellerbürstenmotor rechts TB1520 plate brush motor right TB1520	92012830	11.3G
M5	Tellerbürstenmotor mitte TB1230 plate brush motor middle TB1230	90577248	10.5G
M5	Tellerbürstenmotor mitte TB1520 plate brush motor middle TB1520	92012830	11.4G
M6	Hydraulikmotor 36V hydraulic motor 36V	97162549	13.8F
M7	Wasserrecyclingpumpe water recycling pump	97166722	20.5E
M8	Wasserpumpe Water pump	97166722	9.5G
M9	Hubelement Bürstendeck 24V actuator brush deck 24V	92023332	10.2B
M10	Hubelement Saugfuß actuator squeegee	92005727	10.4B
M13	Hubelement Kehrwalze actuator sweeping broom	92023332	12.6A
M13	Hubelement Kehrwalze actuator sweeping broom	92023332	13.6A
M16	Saugmotor 36V suction motor 36V	97142475	10.5B
M17	Saugmotor 36V suction motor 36V	97142475	10.6B
M19	Motor Seitenbesen rechts motor side broom right	92019017	12.4A
M19	Motor Seitenbesen rechts motor side broom right	92019017	13.3A
M20	Motor Seitenbesen links motor side broom left	92014455	12.5A
M20	Motor Seitenbesen links motor side broom left	92014455	13.4A
M21	Motor Kehrwalze motor sweeping broom	92022524	12.2A
M21	Motor Kehrwalze 36V 600W motor sweeping broom 36V 600W	92022524	13.2A
M23	Lenkantrieb 24V	97160675	22.1F, 22.5F
M24	Rüttelmotor 36V vibration motor 36V	92072560	12.8A

Teil	Beschreibung	Sachnummer	Position
M24	Rüttelmotor 36V vibration motor 36V	92072560	13.7A
M25	Saugmotor 36V suction motor 36V	92072560	12.8A
M25	Saugmotor 36V suction motor 36V	92072560	13.8A
M26	Lenkmotor steering motor	92036631	21.3F
M27	Hubelement Behälter drehen 24V actuator container move 24V	92037274	13.5F
M29	Hochdruckpumpe high pressure pump	92048305	19.6G
P2	Signalgeber buzzer	90324260	9.4E
P27	Monitor display	90850876	21.6D
P27	Monitor display	97171128	21.7G
R20	Lenkwinkelpotentiometer 5kΩ steer angle potentiometer 5kΩ	92017995	15.2F
R21	Lenkwinkel SbW 5kΩ	92017995	
R29	Widerstand R1k resistor R1k	19245018	19.8D
R102	Widerstand 2,7kΩ resistor 2,7kΩ	19245258	19.4C
S1	Schlüsselschalter key switch	90323437	7.2C
S2	Schalter Bremse entriegelt switch brake released	97157512	15.4F
S5	Sitzschalter seat switch	90690694	9.5A
S6	Warnblinkschalter 12V hazard warning switches 12V	19255546	17.3E
S11	Schlitzschalter Behälter 30° switch container position 30°	97157512	13.2G
S12	Schlitzschalter Behälter unten switch container lowered	97157512	13.3G
S13	Schlitzschalter Behälter zu switch container closed	97157512	13.3G
S15	Fussbremstaster foot brake switch	90472176	14.4F
S20	Lenkstockschalter Stalk switch	97164750	17.6E
S21	Schalter Bremse lösen release brake switch	90285768	14.9E
S29	Taster HDR EIN switch HDR on	97100986	19.7F
S30	Kalibriertaster calibration switch	90676354	21.2B
T1	DC/DC Wandler 18-54V - 12,5V DC/DC converter 18-54V - 12,5V	92076488	17.2F
V1	Diode 1A diode 1A	90194879	8.3F
V2	Freilaufdiode 1A free-wheeling diode 1A	90194879	14.8G
W62	Monitorkabel 0,80m cable monitor 0,80m	92097823	21.6G
W63	Kamerakabel-6pol. 5m cable camera 6pol. 5m	92097799	21.8F
X43	Massebolzen M10 Ground point M10	19789353	7.9E, 7.8E, 7.8F, 7.8F, 7.9E, 7.9E, 7.9F, 7.10F, 7.10F, 7.10F
X97	USB 4-pol. Amphenol USB 4-pol. Amphenol	92005412	9.2G

Freigabevermerk:		4	*/	4537-00	21.07.2022	Ri	Date	Name	B400 R	Name	Schaltplan B400 R / circuit diagram B400 R		 Hako GmbH D-23840 Bad Oldesloe		Drawing Number	A2
No.	Number appears	Change No.	Date	Name	Printed	22.07.2022			Replacement for	For this drawing we reserve all rights (acc. DIN ISO 16016)		Engineering Base 6.9.1	Type 7437	Dept. DS	No. of Sh.28	Sheet 2

No:91040360

1 Geräteliste

Teil	Beschreibung	Sachnummer	Position
Y1	Wasserventil water valve	90435595	9.6E
Y3	Ventil Wasserrecycling valve waterrecycling	90435595	20.6E

Freigabevermerk:

4	*/	4537-00	21.07.2022	Ri
No.	Number appears	Change No.	Date	Name

	Date	Name
Drawn	30.03.2021	Ri
Verified		
Printed	22.07.2022	

B400 R  
Replacement for  
4315-77

Name  
Schaltplan B400 R / circuit diagram B400 R




Drawing Number  
91040360


A2

For this drawing we reserve all rights (acc. DIN ISO 16016) Engineering Base 6.9.1 Type 7437 Dept. DS No. of Sh.28 Sheet 3

1		2		3		4		5		6		7		8		9		10		11	
<b>No: 91040360</b>		<b>3 Pin-Splice</b>																			
Name	Position	Name	Position	Name	Position	Name	Position	Name	Position	Name	Position	Name	Position	Name	Position	Name	Position	Name	Position	Name	Position
/1	22.6D	A1/X13/1	10.3C	A1/X15/23	10.5D	A2/X105/1	8.3C	A4/A/32		A5/B+/1	15.1C	A6/X12/18		A6/X15/20	12.5D	A9J1/ST/3		B5/3	9.8B		
/2	22.6D	A1/X13/2	9.4D	A1/X15/24	10.5D	A2/X105/2	8.4C	A4/A/33		A5/B-/1	15.1E	A6/X12/19	13.5E	A6/X15/21	12.5D	A9J1/ST/4		B5/4	9.8B		
/3	22.6D	A1/X13/3	19.7B	A1/X16/1		A2/X105/3		A4/A/34	14.8E	A5/M1/1	15.5E	A6/X12/20	16.8B	A6/X15/22	13.4E	A9J1/ST/5		B7/1	22.4D		
/4	22.6D	A1/X13/4		A1/X16/2		A2/X105/4		A4/A/35	14.7E	A5/M2/1	15.5E	A6/X13/1	12.7D	A6/X15/23	13.3E	A9J1/ST/6		B7/2	22.4D		
A1/X1/1	10.1C	A1/X13/5		A1/X16/3	21.3B	A2/X105/5	8.4C	A4/B+/1	14.1D	A5/M3/1	15.5E	A6/X13/2	21.5B	A6/X15/24	13.2E	A9J1/ST/7		B7/3	22.5D		
A1/X2/1	10.1D	A1/X13/6		A1/X16/4		A2/X105/6		A4/B-/1	14.1E	A6/X1/1	10.9C	A6/X13/3	20.8B	A6/X16/1	12.1D	A9J1/ST/8		B7/4	22.5D		
A1/X3/1	10.2D	A1/X13/7	10.2C	A1/X16/5		A2/X105/7		A4/M1/1	14.5E	A6/X2/1	10.9D	A6/X13/4	21.6B	A6/X16/2		A9J1/ST/9		B7/5	22.4D		
A1/X3/2	11.2D	A1/X13/8	9.4D	A1/X16/6		A2/X105/8		A4/M2/1	14.6E	A6/X3/1	10.8D	A6/X13/5		A6/X16/3		A9J1/ST/10		B7/6	22.4D		
A1/X4/1	10.2D	A1/X13/9	19.7B	A1/X16/7	21.4B	A2/X106/1	8.5E	A4/M3/1	14.6E	A6/X3/2	11.4D	A6/X13/6	21.6B	A6/X16/4		A9J1/ST/11		B18/1	9.6A		
A1/X4/2	11.2D	A1/X13/10	14.6B	A1/X16/8		A2/X109/1	14.6B	A5/A/1		A6/X4/1	10.8D	A6/X13/7	12.6D	A6/X16/5	12.1E	A9J1/ST/12		B18/2	9.5A		
A1/X5/1	10.3D	A1/X13/11	14.5B	A1/X18/1	9.2C	A2/X109/2	14.7B	A5/A/2		A6/X4/2	11.5D	A6/X13/8	21.5B	A6/X16/6		A9J1/ST/13		B18/3	9.6A		
A1/X5/2	11.3D	A1/X13/12		A1/X18/2	9.3C	A2/X109/3	14.7B	A5/A/3		A6/X5/1	12.2D	A6/X13/9	20.8B	A6/X16/7		A9J1/ST/14		B20/1	19.3D		
A1/X6/1	10.4D	A1/X14/1	9.1C	A1/X18/3	9.3C	A2/X109/4	14.7B	A5/A/4	15.5C	A6/X5/2	13.2D	A6/X13/10	17.8B	A6/X16/8		A9J1/ST/15	22.3C	B20/2	19.4D		
A1/X6/2	11.3D	A1/X14/2	9.2C	A1/X18/4		A4/A/1	14.7D	A5/A/5		A6/X6/1	12.2D	A6/X13/11	17.8B	A6/X18/1	12.1D	A9J1/ST/16		B20/3	19.3E		
A1/X7/1	10.5C	A1/X14/3	9.2D	A1/X18/5	9.2C	A4/A/2	14.7D	A5/A/6	15.4E	A6/X6/2	13.1D	A6/X13/12		A6/X18/2		A9J3/ST/1		B20/4	19.4E		
A1/X8/1	10.5C	A1/X14/4	9.2D	A1/X18/6		A4/A/3	14.3E	A5/A/7		A6/X7/1	13.7E	A6/X14/1	12.1D	A6/X18/3		A9J3/ST/2		C1/1	8.4F		
A1/X9/1	10.6C	A1/X14/5	9.6C	A1/X18/7	9.3C	A4/A/4	14.5D	A5/A/8	15.2E	A6/X8/1	13.7E	A6/X14/2		A6/X18/4		A9J3/ST/3	22.2C	C1/2	8.4F		
A1/X10/1	10.6C	A1/X14/6	9.1D	A1/X18/8		A4/A/5		A5/A/9		A6/X9/1	12.4D	A6/X14/3		A6/X18/5	12.2D	A9J3/ST/4	22.2C	E1/1	16.1D		
A1/X11/1	10.2C	A1/X14/7		A1/X20/1		A4/A/6	14.5E	A5/A/10	15.3E	A6/X9/2	13.3D	A6/X14/4		A6/X18/6		A10/X1/1	20.3D	E1/2	16.1E		
A1/X11/2	10.4C	A1/X14/8	9.2D	A1/X20/2	19.2B	A4/A/7	14.4E	A5/A/11	15.5C	A6/X10/1	12.3D	A6/X14/5	9.8C	A6/X18/7		A10/X1/2	20.3D	E2.1/1	16.3F		
A1/X11/3	12.8D	A1/X14/9	9.2D	A1/X20/3		A4/A/8	14.2E	A5/A/12	15.2E	A6/X10/2	13.3D	A6/X14/6	12.1E	A6/X18/8		A10/X1/3	20.4D	E2.1/2	16.3G		
A1/X11/4	10.2C	A1/X14/10		A1/X20/4	19.2B	A4/A/9	14.3E	A5/A/13	15.5C	A6/X11/1	12.6D	A6/X14/7		A6/X22/1	9.8D	A10/X1/4	20.4D	E5/1	18.4F		
A1/X11/5	10.4C	A1/X15/1		A1/X20/5	19.2B	A4/A/10		A5/A/14	15.2C	A6/X11/2	13.5E	A6/X14/8		A9J1/1	21.3E	A20/1	19.1D	E5/2	18.4E		
A1/X11/6	12.9D	A1/X15/2		A1/X20/6		A4/A/11		A5/A/15	15.2C	A6/X11/3	12.8D	A6/X14/9		A9J1/2	21.3E	A20/2	19.2D	E5/3	18.5E		
A1/X12/1	9.5D	A1/X15/3	9.7C	A1/X22/1	9.7D	A4/A/12		A5/A/16	15.6E	A6/X11/4	12.6D	A6/X14/10		A9J1/3	21.3E	A20/3	19.2E	E5/4	18.4E		
A1/X12/2		A1/X15/4	9.6C	A2/VGND	8.6E	A4/A/13	14.2D	A5/A/17		A6/X11/5	13.5E	A6/X15/1		A9J1/4	21.3E	A20/4	19.2D	E5/5	18.4E		
A1/X12/3	9.3D	A1/X15/5	10.3C	A2/X101/1	8.1C	A4/A/14	14.2D	A5/A/18		A6/X11/6	12.8D	A6/X15/2		A9J1/5		A20/5		E5/6	18.5E		
A1/X12/4	16.3B	A1/X15/6	9.4C	A2/X101/2	8.2C	A4/A/15	14.1D	A5/A/19		A6/X12/1	20.7B	A6/X15/3	9.9C	A9J1/6		A20/6	19.1E	E6/1	18.6E		
A1/X12/5	16.2B	A1/X15/7	9.4C	A2/X101/3		A4/A/16	14.6E	A5/A/20		A6/X12/2		A6/X15/4	10.8D	A9J1/7		A20/7	19.2D	E6/2	18.6E		
A1/X12/6	9.6D	A1/X15/8		A2/X101/4	8.2C	A4/A/17	14.3D	A5/A/21	15.4C	A6/X12/3		A6/X15/5	12.7D	A9J1/8		A20/8		E6/3	18.7E		
A1/X12/7	20.5B	A1/X15/9	19.6B	A2/X101/5	8.3C	A4/A/18		A5/A/22	15.4C	A6/X12/4	16.7B	A6/X15/6	17.7B	A9J1/9		A20/9	19.2D	E6/4	18.6E		
A1/X12/8	19.6B	A1/X15/10	19.7B	A2/X101/6	8.3C	A4/A/19		A5/A/23		A6/X12/5	13.6E	A6/X15/7		A9J1/10	21.3D	A20/10		E6/5	18.6E		
A1/X12/9		A1/X15/11	10.5D	A2/X101/7	8.1E	A4/A/20		A5/A/24		A6/X12/6	17.7B	A6/X15/8	12.5D	A9J1/11		B3/1	14.2F	E6/6	18.7E		
A1/X12/10	16.6B	A1/X15/12	10.5D	A2/X101/8		A4/A/21	14.3D	A5/A/25		A6/X12/7	17.7B	A6/X15/9	12.5D	A9J1/12	21.2D	B3/2	14.2F	E7/1	18.1F		
A1/X12/11	9.5D	A1/X15/13		A2/X104/1		A4/A/22	14.3D	A5/A/26		A6/X12/8		A6/X15/10	13.3E	A9J1/13		B3/3	14.2F	E7/2	18.1G		
A1/X12/12		A1/X15/14		A2/X104/2		A4/A/23		A5/A/27	15.6E	A6/X12/9	13.6E	A6/X15/11	13.3E	A9J1/14	21.2D	B3/4	14.2F	E8/1	18.6F		
A1/X12/13	9.3D	A1/X15/15	9.7C	A2/X104/3		A4/A/24	14.4D	A5/A/28	15.6E	A6/X12/10	16.8B	A6/X15/12	13.2E	A9J1/15	21.3D	B3/5	14.2F	E8/2	18.6G		
A1/X12/14	16.3B	A1/X15/16	9.5C	A2/X104/4		A4/A/25	14.4D	A5/A/29	15.6E	A6/X12/11	20.7B	A6/X15/13		A9J1/16		B3/6	14.2F	E9/1	18.2F		
A1/X12/15	16.2B	A1/X15/17		A2/X104/5	8.3E	A4/A/26		A5/A/30	15.6C	A6/X12/12		A6/X15/14		A9J3/1	21.3E	B4/1	9.7A	E9/2	18.2G		
A1/X12/16	9.6D	A1/X15/18	9.5C	A2/X104/6	20.3B	A4/A/27	14.6E	A5/A/31	15.7E	A6/X12/13		A6/X15/15	9.8C	A9J3/2	21.2E	B4/2	9.7A	E10/1	18.7F		
A1/X12/17	20.6B	A1/X15/19	9.5C	A2/X104/7		A4/A/28	14.7E	A5/A/32		A6/X12/14	16.7B	A6/X15/16	10.8D	A9J3/3	21.2E	B4/3	9.7B	E10/2	18.7G		
A1/X12/18	19.6B	A1/X15/20		A2/X104/8	20.3B	A4/A/29	14.7E	A5/A/33		A6/X12/15	13.5E	A6/X15/17		A9J3/4	21.2D	B4/4	9.7B	E11/1	16.2D		
A1/X12/19		A1/X15/21	19.6B	A2/X104/9		A4/A/30		A5/A/34	15.7E	A6/X12/16	17.7B	A6/X15/18	17.8B	A9J1/ST/1		B5/1	9.8A	E11/2	16.2E		
A1/X12/20	16.6B	A1/X15/22	19.7B	A2/X104/10	8.3E	A4/A/31	14.7E	A5/A/35	15.7E	A6/X12/17	17.7B	A6/X15/19		A9J1/ST/2		B5/2	9.8A	E12/1	16.2G		

Freigabevermerk:		4	*/	4537-00	21.07.2022	Ri	Date	Name	<b>B400 R</b>		Name	<b>Schaltplan B400 R / circuit diagram B400 R</b>				 Hako GmbH D-23840 Bad Oldesloe		Drawing Number		A2
		No.	Number appears	Change No.	Date	Name	Printed	22.07.2022		Replacement for	For this drawing we reserve all rights (acc. DIN ISO 16016)				Engineering Base 6.9.1	Type 7437	Dept. DS	No. of Sh. 28	Sheet 3	

1		2		3		4		5		6		7		8		9		10		11	
<b>No: 91040360</b>		<b>3 Pin-Splice</b>																			
A	Name	Position	Name	Position	Name	Position	Name	Position	Name	Position	Name	Position	Name	Position	Name	Position	Name	Position	Name	Position	A
	E12/2	16.2G	F32/2	18.2B	K29/K1/1	19.5E	M4.1/P	10.3G	M17/B	10.6B	M23/20	S5/3	9.5B	T1/2	17.2G	W19/XS25	15.2B	X11/ST/3			
	E14/1	16.8F	F33/1	17.6B	K29/K2/1	19.5E	M4.1/S1/1	10.4G	M19.1/1	12.4A	M23/21	S5/4	9.5B	T1/3	17.2F	W19/XS63	15.5C	X11/ST/4	15.5B		
	E14/2	16.8G	F33/2	17.6B	K31A/1	17.2D	M4.1/S1/2	10.4G	M19.1/2	12.4B	M23/22	S6/1	17.3E	T1/4	17.3F	W28/XS16	9.8E	X11/ST/4			
	E15/1	16.7F	F34/1	17.6B	K31A/2	17.2D	M4.2/N	11.3G	M19.1/3	12.4A	M23/23	S6/2	17.3E	T1/5	17.3G	W29/XS14	8.5F	X11/ST/5	15.5B		
	E15/2	16.7G	F34/2	17.6B	K31A/3	17.2D	M4.2/P	11.3G	M19.1/4	12.4B	M24.1/1	S6/3	17.3E	T1/6	17.2G	W58/XS18	12.3B	X11/ST/5			
	E16/1	16.9F	F35/1	17.5B	K31A/4	17.2D	M4.2/S1/1	11.4G	M19.2/1	13.3A	M24.1/2	S6/4		V1/1	8.3F	W58/XS19	12.4C	X11/ST/6	15.5B		
	E16/2	16.9G	F35/2	17.5B	K31A/5	17.2D	M4.2/S1/2	11.4G	M19.2/2	13.3B	M24.2/1	S6/5	17.4E	V1/2	8.3F	W59/XS35	13.3B	X11/ST/6			
	E17/1	16.10F	H1/N	8.4G	K31B/1	17.9E	M5.1/N	10.5G	M19.2/3	13.3A	M24.2/2	S6/7		V2/1	14.8G	W59/XS36	13.3C	X11/ST/7	15.5B		
	E17/2	16.10G	H1/P	8.4F	K31B/2	17.9E	M5.1/P	10.5G	M19.2/4	13.3B	M25.1/1	S6/8	17.4E	V2/2	14.8G	W63/XS70	22.2D	X11/ST/7	15.7B		
	E18/A	18.2G	K1/A1/1	6.2F	K31B/3	17.8E	M5.1/S1/1	10.5G	M20.1/1	12.5A	M25.1/2	S6/10	17.4E	W3/XS1	6.6C	W63/XS71	22.2D	X11/ST/8			
	E18/B	18.2F	K1/A2/1	6.2F	K31B/4	17.8E	M5.1/S1/2	10.5G	M20.1/2	12.5B	M25.2/1	S6/17	17.4E	W3/XS2	6.5F	W63/XS72	22.7C	X11/ST/8	15.7B		
	E19/A	18.8G	K1/K1/1	6.2F	K31B/5	17.8E	M5.2/N	11.5G	M20.1/3	12.5A	M25.2/2	S6/18	17.4E	W3/XS3	6.6F	W63/XS73	22.7D	X11A/BU/1			
	E19/B	18.8F	K1/K1/2	6.3F	M1/U	14.5G	M5.2/P	11.4G	M20.1/4	12.5B	M26/M+	S11/1	13.2G	W3/XS4	7.1E	W76/XS39	18.2F	X11A/BU/2	22.8D		
	E21.1/1	16.5F	K1/K2/1	6.3F	M1/V	14.6G	M5.2/S1/1	11.5G	M20.2/1	13.4A	M26/M-	S11/2	13.2G	W3/XS5	7.2E	W76/XS41	18.2H	X11A/BU/3	22.8D		
	E21.1/2	16.5G	K1/K3/1	6.3F	M1/W	14.6G	M5.2/S1/2	11.5G	M20.2/2	13.4B	M26/X1/1	S11/3	13.2G	W3/XS6	7.8C	W77/XS40	18.7F	X11A/BU/4	22.8D		
	E22/1	18.3F	K1/K3/2	6.3F	M1/X1/1	14.7G	M6/A	13.8F	M20.2/3	13.5A	M26/X1/2	S12/1	13.3G	W3/XS7	21.5B	W77/XS42	18.7H	X11A/BU/5	22.8D		
	E22/2	18.3G	K1/K4/1	6.3F	M1/X1/2	14.7G	M6/B	13.8G	M20.2/4	13.5B	M26/X1/3	S12/2	13.3G	W3/XS8	8.3B	W79/BP01		X11A/BU/6	22.8D		
	E23/1	18.8F	K2/N	14.1C	M1/X1/3	14.7G	M7/1	20.5E	M21.1/N	12.2B	M26/X1/4	S12/3	13.3G	W3/XS9	8.5B	W79/XS43	17.2C	X11A/BU/7	22.8D		
	E23/2	18.8G	K2/N	14.1C	M1/X1/4	14.7G	M7/2	20.5E	M21.1/P	12.2A	M26/X1/5	S13/1	13.3G	W3/XS10	8.6B	W79/XS44	17.2E	X11A/BU/8	22.8D		
	E24/1	20.8E	K2/P	14.1B	M1/X2/1	14.7G	M8/1	9.5G	M21.1/X3/1	12.3A	M26/X1/6	S13/2	13.4G	W3/XS11	8.4B	W79/XS45	17.4G	X11A/ST/1			
	E24/2		K2/P	14.1B	M1/X2/2		M8/2	9.5G	M21.1/X3/2	12.3B	M27/1	S13/3	13.3G	W3/XS12	8.5B	W79/XS46	17.5A	X11A/ST/2	22.8C		
	E24/3	20.8E	K3/N	15.2C	M1/X2/3	14.8G	M9/1	10.2B	M21.2/N	13.2B	M27/2	S15/B	14.4G	W3/XS13	8.6B	W79/XS47	18.3A	X11A/ST/3	22.8C		
	E24/4		K3/N	15.1C	M1/X3/1	14.6G	M9/2	10.2B	M21.2/P	13.2A	M29/N	S15/P	14.4F	W3/XS15	9.3B	W79/XS49	18.3C	X11A/ST/4	22.8C		
	F1/1	6.5E	K3/P	15.2B	M1/X3/2	14.6G	M9/3	10.2B	M21.2/X3/1	13.2A	M29/P	S20/X1/1	17.7F	W3/XS17	9.6B	W79/XS50	18.2C	X11A/ST/5	22.8C		
	F1/2	6.5E	K3/P	15.1B	M2/U	15.5G	M9/4	10.2B	M21.2/X3/2	13.2B	M29/S1/1	S20/X1/2	17.7E	W3/XS20	16.2D	W79/XS52	18.5C	X11A/ST/6	22.8C		
	F2/1/1	6.2D	K8/D1/1	13.6F	M2/V	15.5G	M9/5	10.3B	M23/1	22.5F	M29/S1/2	S20/X1/3	17.7E	W3/XS21	16.2D	W79/XS53	18.6C	X11A/ST/7	22.8C		
	F2/2/1	6.2D	K8/D2/1	13.7F	M2/W	15.5G	M9/6	10.3B	M23/2	22.5F	P2/1	S20/X1/4		W3/XS22	19.1B	W79/XS54	18.5C	X11A/ST/8	22.8C		
	F3/2/1	6.1D	K8/FA/1/1	13.6F	M2/X1/1	15.6G	M10/1	10.4B	M23/3	22.2F	P2/3+	S20/X2/1	17.6E	W3/XS23	9.3B	W79/XS55		X20/BU/1	10.5E		
	F3/2/2	6.1D	K8/FA/2/1	13.6G	M2/X1/2	15.6G	M10/2	10.4C	M23/4	22.2F	R20/1	S20/X2/2	17.6E	W3/XS24	14.5C	W79/XS58	17.6D	X20/BU/2	10.5E		
	F8/2/1	6.3D	K8/N/1	13.7G	M2/X1/3	15.6G	M13.1/1	12.6A	M23/5	22.3F	R20/2	S20/X2/3	17.6F	W3/XS26	14.3B	X1/ST/N	6.2B	X20/BU/3	10.5E		
	F9/1/1	6.4D	K8/P/1	13.6G	M2/X1/4	15.6G	M13.1/2	12.6B	M23/6	22.1F	R20/3	S20/X2/4	17.6E	W3/XS27	14.3B	X1/ST/P	6.2B	X20/BU/4	10.5E		
	F9/2/1	6.4D	K8/RA/1/1	13.6F	M2/X2/1	15.7G	M13.1/3	12.6B	M23/7	22.2F	R20/4	S20/X2/5	17.6F	W3/XS30	14.2C	X11/BU/1		X20/BU/5	10.5E		
	F10/2/1	6.4D	K8/RA/2/1	13.6G	M2/X2/2	15.7G	M13.1/4	12.6A	M23/8	22.2F	R29/1	S20/X2/6	17.6F	W3/XS31	14.9D	X11/BU/2	15.4B	X20/BU/6	10.5E		
	F11/1	6.7E	K20/1	17.8G	M2/X3/1	15.5G	M13.1/5	12.7B	M23/9	22.4F	R29/2	S21/NC1	14.9E	W3/XS32	16.3B	X11/BU/3	15.5B	X20/ST/1	10.5E		
	F11/2	6.7E	K20/2	17.7G	M2/X3/2	15.6G	M13.1/6	12.7A	M23/10	22.4F	R102/1	S21/NC2	14.9E	W3/XS33	16.3C	X11/BU/4	15.5B	X20/ST/1	11.5E		
	F19/1	6.6E	K20/3	17.7G	M3.1/N	10.2G	M13.2/1	13.6A	M23/11	22.6F	R102/2	S21/NO1	14.9E	W3/XS34	21.2G	X11/BU/5	15.5B	X20/ST/2	10.5E		
	F19/2	6.6E	K20/4	17.8F	M3.1/P	10.2G	M13.2/2	13.6B	M23/12	22.6F	S1/1	S21/NO2	14.9E	W3/XS37	14.8F	X11/BU/6	15.5B	X20/ST/2	11.6E		
	F20/1	6.6E	K20/5	17.7F	M3.1/S1/1	10.3G	M13.2/3	13.6B	M23/13		S1/2	S29/1	19.7F	W3/XS38	14.8G	X11/BU/7	15.5B	X20/ST/3	10.5E		
	F20/2	6.6E	K20/6	17.7F	M3.1/S1/2	10.3G	M13.2/4	13.6A	M23/14		S1/UBat	S29/2	19.7F	W3/XS56	8.3E	X11/BU/8	15.5B	X20/ST/3	11.6E		
	F30/1	18.3B	K20/7	17.7G	M3.2/N	11.2G	M13.2/5	13.6B	M23/15	22.3F	S2/1	S29/3	19.7F	W3/XS57	8.3F	X11/ST/1		X20/ST/4	10.5E		
	F30/2	18.3B	K20/8	17.8G	M3.2/P	11.2G	M13.2/6	13.6A	M23/16	22.4F	S2/2	S29/4	19.7F	W3/XS59		X11/ST/1		X20/ST/4	11.6E		
	F31/1	18.4B	K20/9	17.7G	M3.2/S1/1	11.2G	M16/A	10.5B	M23/17	22.4F	S2/3	S30/COM1	21.2C	W3/XS60		X11/ST/2	15.4B	X20/ST/5	10.5E		
	F31/2	18.4B	K29/A1/1	19.6E	M3.2/S1/2	11.3G	M16/B	10.5B	M23/18		S5/1	S30/NO4	21.2B	W3/XS61	8.3F	X11/ST/2		X20/ST/5	11.6E		
	F32/1	18.2B	K29/A2/1	19.6E	M4.1/N	10.4G	M17/A	10.6B	M23/19	22.5F	S5/2	T1/1	17.2F	W3/XS62	8.3G	X11/ST/3	15.5B	X20/ST/6	10.5E		

Freigabevermerk:		4	**	4537-00	21.07.2022	Ri	Date	Name	B400 R	Name	Schaltplan B400 R / circuit diagram B400 R				 Hako GmbH D-23840 Bad Oldesloe		Drawing Number		A2
No.	Number appears	Change No.	Date	Name	Printed	22.07.2022			Replacement for	For this drawing we reserve all rights (acc. DIN ISO 16016)				Engineering Base 6.9.1	Type 7437	Dept. DS	No. of Sh. 28	Sheet 4	

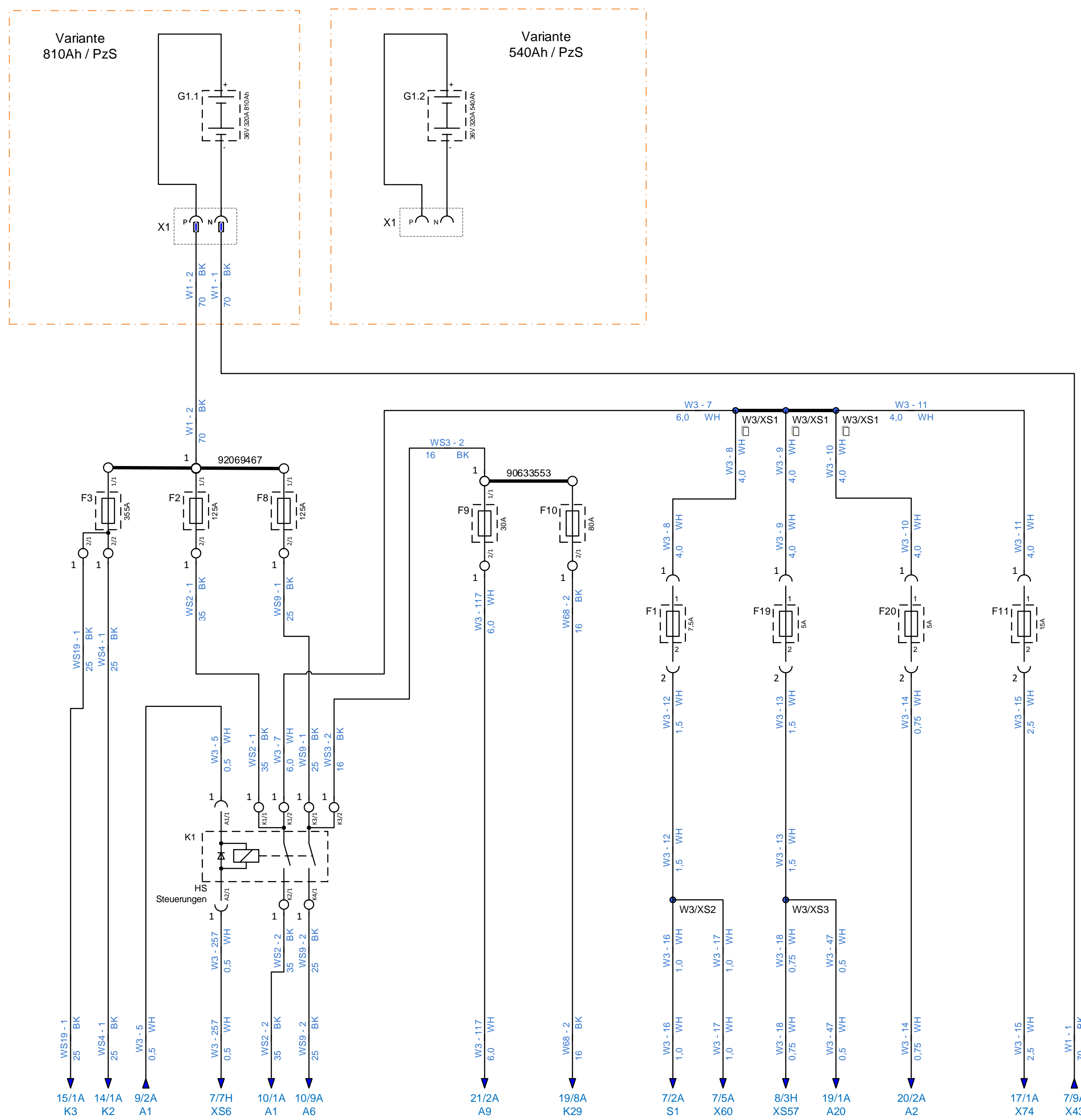
No: 91040360

3 Pin-Splice

	Name	Position	Name	Position	Name	Position	Name	Position	Name	Position	Name	Position		
A	X20/ST/6	11.6E	X29/ST/13		X53/ST/6	13.6E	X66/BU/6	16.5D	X71/ST/6	21.5F	X76/BU/3	18.2E	X97/1	9.2G
	X29/BU/1	12.5C	X29/ST/14	12.6C	X53/ST/7		X66/ST/1	16.4D	X71/ST/7		X76/BU/4	18.2E	X97/2	9.2G
	X29/BU/2	12.5C	X29/ST/14	13.6C	X53/ST/8	13.5E	X66/ST/2	16.5D	X71/ST/8		X76/ST/1	18.2E	X97/3	9.2G
	X29/BU/3		X29/ST/15	12.8C	X53/ST/9	13.2E	X66/ST/3	16.5D	X72/BU/1	21.5D	X76/ST/2	18.2E	X97/4	9.2G
	X29/BU/4		X29/ST/15	13.7C	X53/ST/10	13.3E	X66/ST/4	16.5D	X72/BU/2	21.5D	X76/ST/3	18.2E	X100/1	8.5G
B	X29/BU/5	12.6C	X29/ST/16	12.9C	X53/ST/11	13.4E	X66/ST/5	16.5D	X72/BU/3	21.6D	X76/ST/4	18.2E	X101/1	9.8F
	X29/BU/6	12.8C	X29/ST/16	13.8C	X53/ST/12		X66/ST/6	16.5D	X72/ST/1	21.5D	X77/BU/1	18.8E	XE14/ST/1	16.9F
	X29/BU/7	12.8C	X29/ST/17	12.6C	X53/ST/13	13.5E	X68/BU/1	19.6D	X72/ST/2	21.5D	X77/BU/2	18.8E	XE14/ST/1	16.10F
	X29/BU/8	12.7C	X29/ST/17	13.6C	X53/ST/14	13.6E	X68/BU/2		X72/ST/3	21.6D	X77/BU/3	18.8E	XE14/ST/2	16.9F
	X29/BU/9	12.7C	X29/ST/18		X53/ST/15		X68/BU/3	19.6D	X73/BU/1	21.5C	X77/BU/4	18.8E	XE14/ST/2	16.10F
	X29/BU/10	12.5C	X29/ST/18		X53/ST/16	13.5E	X68/BU/4	19.7D	X73/BU/2	21.5C	X77/ST/1	18.8E	Y1/1	9.6E
	X29/BU/11	12.5C	X32/BU/1	21.2C	X60/BU/1	7.4B	X68/BU/5	19.7D	X73/BU/3	21.6C	X77/ST/2	18.8E	Y1/2	9.6F
C	X29/BU/12		X32/BU/2	21.2C	X60/BU/2		X68/BU/6	19.6D	X73/ST/1	21.5C	X77/ST/3	18.8E	Y3/1	20.6E
	X29/BU/13		X32/ST/1	21.2C	X60/BU/3		X68/BU/7		X73/ST/1	21.5E	X77/ST/4	18.8E	Y3/2	20.6E
	X29/BU/14	12.6C	X32/ST/2	21.2C	X60/BU/4	7.4C	X68/BU/8	19.6D	X73/ST/2	21.5C	X78/BU/1	18.5D		
	X29/BU/15	12.8C	X43/A/1	7.9E	X60/BU/5		X68/BU/9	19.7D	X73/ST/2	21.5E	X78/BU/2	18.5D		
	X29/BU/16	12.9C	X43/A/2	7.8F	X60/BU/6	7.4C	X68/BU/10	19.7D	X73/ST/3	21.6C	X78/BU/3	18.5D		
	X29/BU/17	12.6C	X43/A/3	7.8F	X60/BU/7		X68/ST/1	19.6D	X73/ST/3	21.6E	X78/BU/4	18.5D		
D	X29/BU/18		X43/A/4	7.8E	X60/BU/8		X68/ST/2		X74/BU/A	17.1B	X78/BU/5	18.5D		
	X29/ST/1	12.5C	X43/B/2	7.9F	X60/BU/9		X68/ST/3	19.6D	X74/BU/B	17.2B	X78/BU/6	18.5D		
	X29/ST/1	13.4C	X43/B/3	7.10F	X60/BU/10		X68/ST/4	19.7D	X74/ST/A	17.1B	X78/BU/7	18.6D		
	X29/ST/2	12.5C	X43/B/4	7.10F	X60/BU/11	7.4C	X68/ST/5	19.7D	X74/ST/B	17.2B	X78/BU/8	18.6D		
	X29/ST/2	13.5C	X43/B/5	7.10F	X60/BU/12	7.4C	X68/ST/6	19.6D	X75/BU/1	17.7C	X78/BU/9	18.6D		
	X29/ST/3		X53/BU/1	13.2E	X60/BU/13		X68/ST/7		X75/BU/2	17.7C	X78/BU/10	18.6D		
E	X29/ST/3		X53/BU/2	13.3E	X60/BU/14	7.4C	X68/ST/8	19.6D	X75/BU/3	17.7C	X78/ST/1	18.5D		
	X29/ST/4		X53/BU/3	13.3E	X60/BU/15		X68/ST/9	19.7D	X75/BU/4	17.8C	X78/ST/2	18.5D		
	X29/ST/4		X53/BU/4		X60/BU/16	7.4C	X68/ST/10	19.7D	X75/BU/5	17.8C	X78/ST/3	18.5D		
	X29/ST/5	12.6C	X53/BU/5	13.5E	X63/BU/1	20.5D	X69/BU/1	16.5F	X75/BU/6	17.7C	X78/ST/4	18.5D		
	X29/ST/5	13.6C	X53/BU/6	13.6E	X63/BU/2	20.6D	X69/BU/2	16.5F	X75/BU/7	17.7C	X78/ST/5	18.5D		
	X29/ST/6	12.8C	X53/BU/7		X63/BU/3	20.6D	X69/ST/1	16.5F	X75/BU/8	17.8C	X78/ST/6	18.5D		
	X29/ST/6	13.7C	X53/BU/8	13.5E	X63/BU/4	20.6D	X69/ST/2	16.5F	X75/BU/9	17.8C	X78/ST/7	18.6D		
F	X29/ST/7	12.8C	X53/BU/9	13.2E	X63/ST/1	20.5D	X71/BU/1	21.5F	X75/BU/10	17.9C	X78/ST/8	18.6D		
	X29/ST/7	13.8C	X53/BU/10	13.3E	X63/ST/2	20.6D	X71/BU/2	21.6F	X75/ST/1	17.7C	X78/ST/9	18.6D		
	X29/ST/8	12.7C	X53/BU/11	13.4E	X63/ST/3	20.6D	X71/BU/3		X75/ST/2	17.7C	X78/ST/10	18.6D		
	X29/ST/8	13.7C	X53/BU/12		X63/ST/4	20.6D	X71/BU/4		X75/ST/3	17.7C	X79/BU/1	20.8D		
	X29/ST/9	12.7C	X53/BU/13	13.5E	X65/BU/1	16.3F	X71/BU/5		X75/ST/4	17.8C	X79/BU/2			
	X29/ST/9	13.6C	X53/BU/14	13.6E	X65/BU/2	16.3F	X71/BU/6	21.5F	X75/ST/5	17.8C	X79/BU/3	20.8D		
G	X29/ST/10	12.5C	X53/BU/15		X65/ST/1	16.3F	X71/BU/7		X75/ST/6	17.7C	X79/BU/4			
	X29/ST/10	13.5C	X53/BU/16	13.5E	X65/ST/2	16.3F	X71/BU/8		X75/ST/7	17.7C	X79/ST/1	20.8D		
	X29/ST/11	12.5C	X53/ST/1	13.2E	X66/BU/1	16.4D	X71/ST/1	21.5F	X75/ST/8	17.8C	X79/ST/2			
	X29/ST/11	13.5C	X53/ST/2	13.3E	X66/BU/2	16.5D	X71/ST/2	21.6F	X75/ST/9	17.8C	X79/ST/3	20.8D		
	X29/ST/12		X53/ST/3	13.3E	X66/BU/3	16.5D	X71/ST/3		X75/ST/10	17.9C	X79/ST/4			
	X29/ST/12		X53/ST/4		X66/BU/4	16.5D	X71/ST/4		X76/BU/1	18.2E	X80/BU/1	9.3G		
	X29/ST/13		X53/ST/5	13.5E	X66/BU/5	16.5D	X71/ST/5		X76/BU/2	18.2E	X80/BU/2	9.3G		

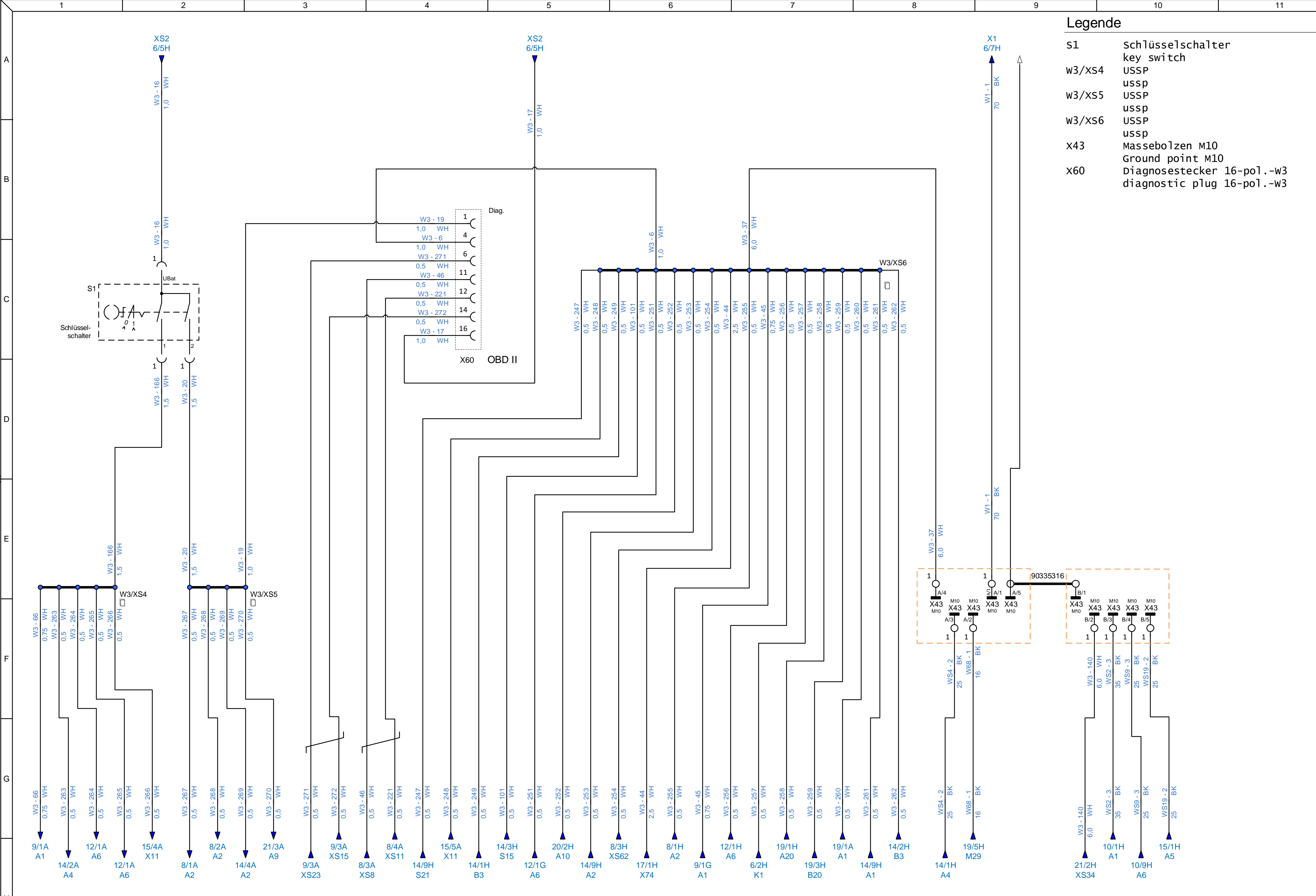
Freigabevermerk:		4	*/	4537-00	21.07.2022	Ri	Date	Name	<b>B400 R</b>		Name		Drawing Number		A2
							Drawn	09.10.2020	Ri	Replacement for		<b>Schaltplan B400 R / circuit diagram B400 R</b>		91040360	
							Verified			4315-77		For this drawing we reserve all rights (acc. DIN ISO 16016)		Engineering Base 6.9.1	
		No.	Number appears	Change No.	Date	Name	Printed	22.07.2022				Type 7437	Dept. DS	No. of Sh.28	Sheet 5






- ### Legende
- F1 Sicherung Schlüsselschalter 7,5A  
fuse keyswitch 7,5A
  - F2 Sicherung Steuerung A1 125A  
fuse controller A1 125A
  - F3 Sicherung Fahren 355A  
fuse drive 355A
  - F8 Sicherung Steuerung A6 125A  
fuse Steuerung A6 125A
  - F9 Sicherung Lenken 30A  
fuse steering 30A
  - F10 Sicherung Hochdruckreiniger 80A  
fuse high-pressure cleaner 80A
  - F11 Sicherung StvZO 15A  
fuse road traffic act 15A
  - F19 Sicherung Hupe / Fleet 5A  
fuse horn / fleet 5A
  - F20 Sicherung Anzeige 5A  
fuse display 5A
  - G1.1 Batterie 36V 320A 810Ah  
battery 36V 320A 810Ah
  - G1.2 Batterie 36V 320A 540Ah  
battery 36V 320A 540Ah
  - K1 Hauptschütz 36V  
main contactor 36V
  - W3/XS1 USSP  
ussp
  - W3/XS2 USSP  
ussp
  - W3/XS3 USSP  
ussp
  - X1 Batteriestecker 2-pol. w1  
battery connector 2-pol. w1

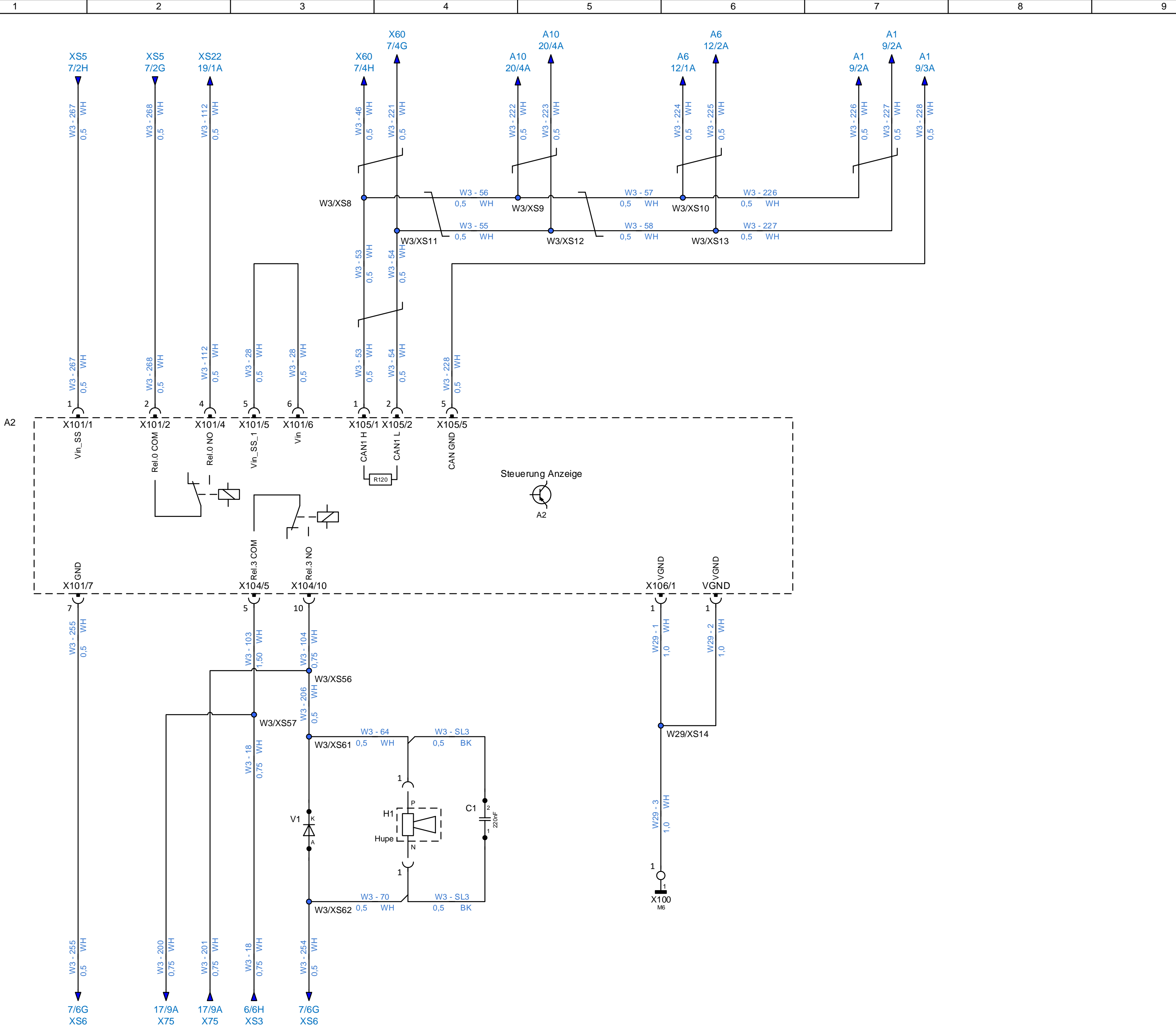
Freigabevermerk:		4		*/*		4537-00		21.07.2022		Ri		Date 12.03.2020		Name Ri		B400 R		Name Schaltplan B400 R / circuit diagram B400 R		Drawing Number 91040360		A2			
No.		Number appears		Change No.		Date		Name		Std.		4315-77		For this drawing we reserve all rights (acc. DIN ISO 16016)		Engineering Base 6.9.1		Type 7437		Dept. DS		No. of Sh.28		Sheet 6	



- Legende**
- S1 Schlüssel-schalter  
key switch
  - W3/XS4 USSP
  - W3/XS5 USSP
  - W3/XS6 USSP
  - X43 Massebolzen M10  
Ground point M10
  - X60 Diagnosestecker 16-pol.-w3  
diagnostic plug 16-pol.-w3

Freigabevermerk:		4	*/*	4537-00	21.07.2022	Ri	Date 12.03.2020	Name Ri	<b>B400 R</b>	Name Schaltplan B400 R / circuit diagram B400 R	 Hako GmbH D-23840 Bad Oldesloe		Drawing Number <b>91040360</b>	A2	
No.	Number appears	Change No.	Date	Name	Std.	4315-77		For this drawing we reserve all rights (acc. DIN ISO 16016)			Engineering Base 6.9.1	Type 7437	Dept. DS	No. of Sh.28	Sheet 7

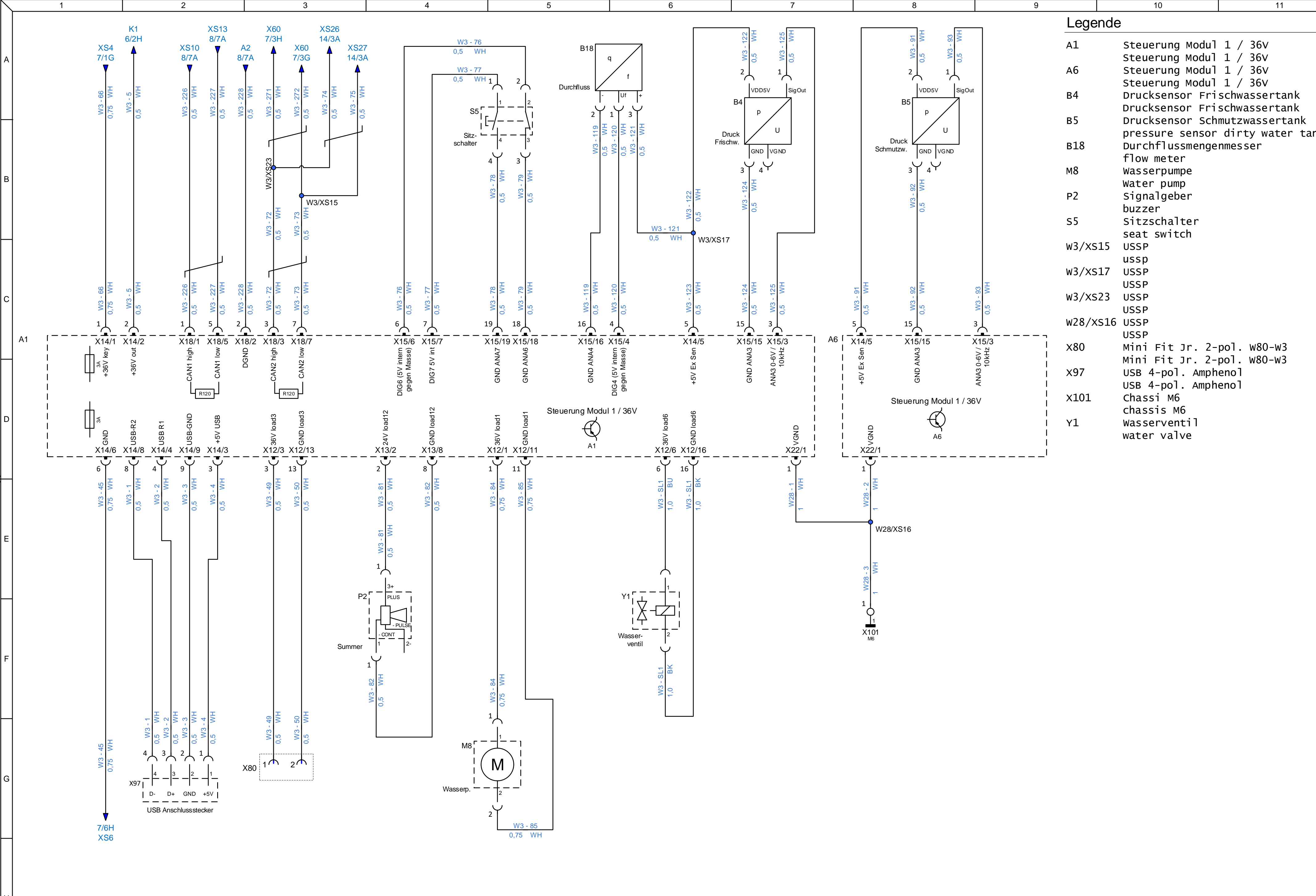




- ### Legende
- A2 Steuerung Anzeige controller display
  - C1 Entstörkondensator 220nF suppressor capacitor 220nF
  - H1 Hupe 335Hz horn 335Hz
  - V1 Diode 1A diode 1A
  - W3/XS8 USSP ussp
  - W3/XS9 USSP ussp
  - W3/XS10 USSP ussp
  - W3/XS11 USSP ussp
  - W3/XS12 USSP ussp
  - W3/XS13 USSP ussp
  - W3/XS56 USSP ussp
  - W3/XS57 USSP ussp
  - W3/XS61 Stoßverbinder 0,5-1 unisoliert
  - W3/XS62 Stoßverbinder 0,5-1 unisoliert
  - W29/XS14 USSP ussp
  - X100 Chassi M6 chassis M6

Freigabevermerk:		4	*/*	4537-00	21.07.2022	Ri	Date	Name	<b>B400 R</b>	Name	<b>Schaltplan B400 R / circuit diagram B400 R</b>	Drawing Number	<b>A2</b>
									Replacement for			<b>91040360</b>	
		No.	Number appears	Change No.	Date	Name	Std.		4315-77	For this drawing we reserve all rights (acc. DIN ISO 16016)			
								Engineering Base 6.9.1		Type 7437	Dept. DS	No. of Sh.28	Sheet 8





- ### Legende
- A1 Steuerung Modul 1 / 36V
  - A6 Steuerung Modul 1 / 36V
  - A6 Steuerung Modul 1 / 36V
  - A6 Steuerung Modul 1 / 36V
  - B4 Drucksensor Frischwassertank
  - B5 Drucksensor Schmutzwassertank
  - B5 pressure sensor dirty water tank
  - B18 Durchflussmengenmesser
  - B18 flow meter
  - M8 Wasserpumpe
  - M8 water pump
  - P2 Signalgeber
  - P2 buzzer
  - S5 Sitzschalter
  - S5 seat switch
  - W3/XS15 USSP
  - W3/XS17 USSP
  - W3/XS23 USSP
  - W3/XS23 USSP
  - W28/XS16 USSP
  - W28/XS16 USSP
  - X80 Mini Fit Jr. 2-pol. w80-w3
  - X80 Mini Fit Jr. 2-pol. w80-w3
  - X97 USB 4-pol. Amphenol
  - X97 USB 4-pol. Amphenol
  - X101 Chassi M6
  - X101 chassis M6
  - Y1 Wasserventil
  - Y1 water valve

Freigabevermerk:		4		*/*		4537-00		21.07.2022		Ri		Date		Name		B400 R		Name		Drawing Number		A2					
		No.		Number appears		Change No.		Date		Name		Std.		Verified		4315-77		Replacement for		Schaltplan B400 R / circuit diagram B400 R		91040360					
For this drawing we reserve all rights (acc. DIN ISO 16016)																		Engineering Base 6.9.1		Type 7437		Dept. DS		No. of Sh.28		Sheet 9	



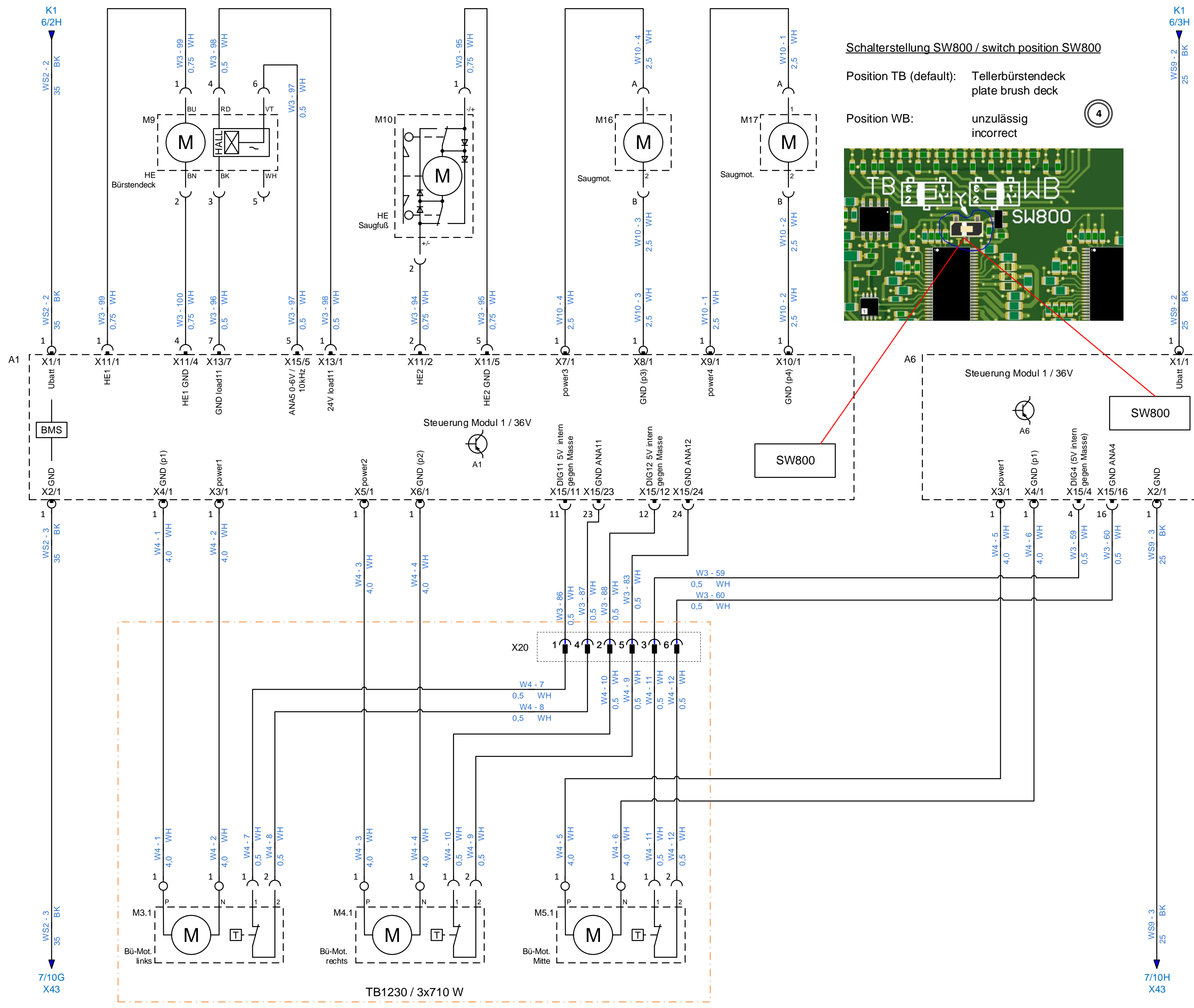
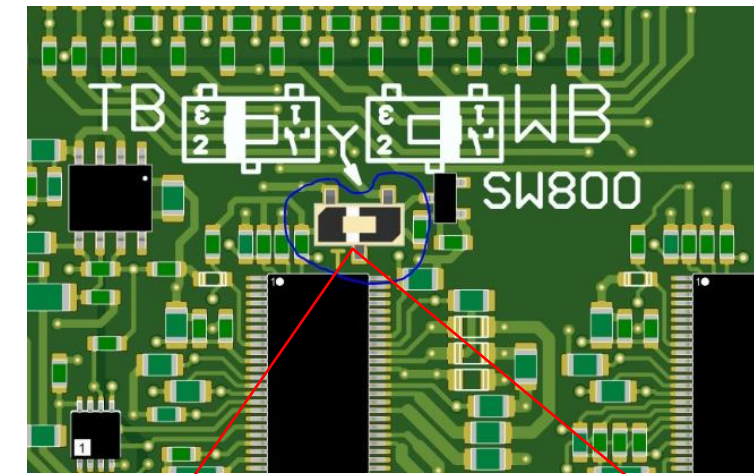
### Legende

- A1 Steuerung Modul 1 / 36V
- A6 Steuerung Modul 1 / 36V
- A6 Steuerung Modul 1 / 36V
- M3.1 Tellerbürstenmotor links TB1230 plate brush motor left TB1230
- M4.1 Tellerbürstenmotor rechts TB1230 plate brush motor right TB1230
- M5.1 Tellerbürstenmotor mitte TB1230 plate brush motor middle TB1230
- M9 Hubelement Bürstendeck 24V actuator brush deck 24V
- M10 Hubelement Saugfuß actuator squeegee
- M16 Saugmotor 36V suction motor 36V
- M17 Saugmotor 36V suction motor 36V
- X20 Mini-Fit Jr. 6-pol. w5-w3 Mini-Fit Jr. 6-pol. w5-w3

### Schalterstellung SW800 / switch position SW800

Position TB (default): Tellerbürstendeck plate brush deck

Position WB: unzulässig incorrect

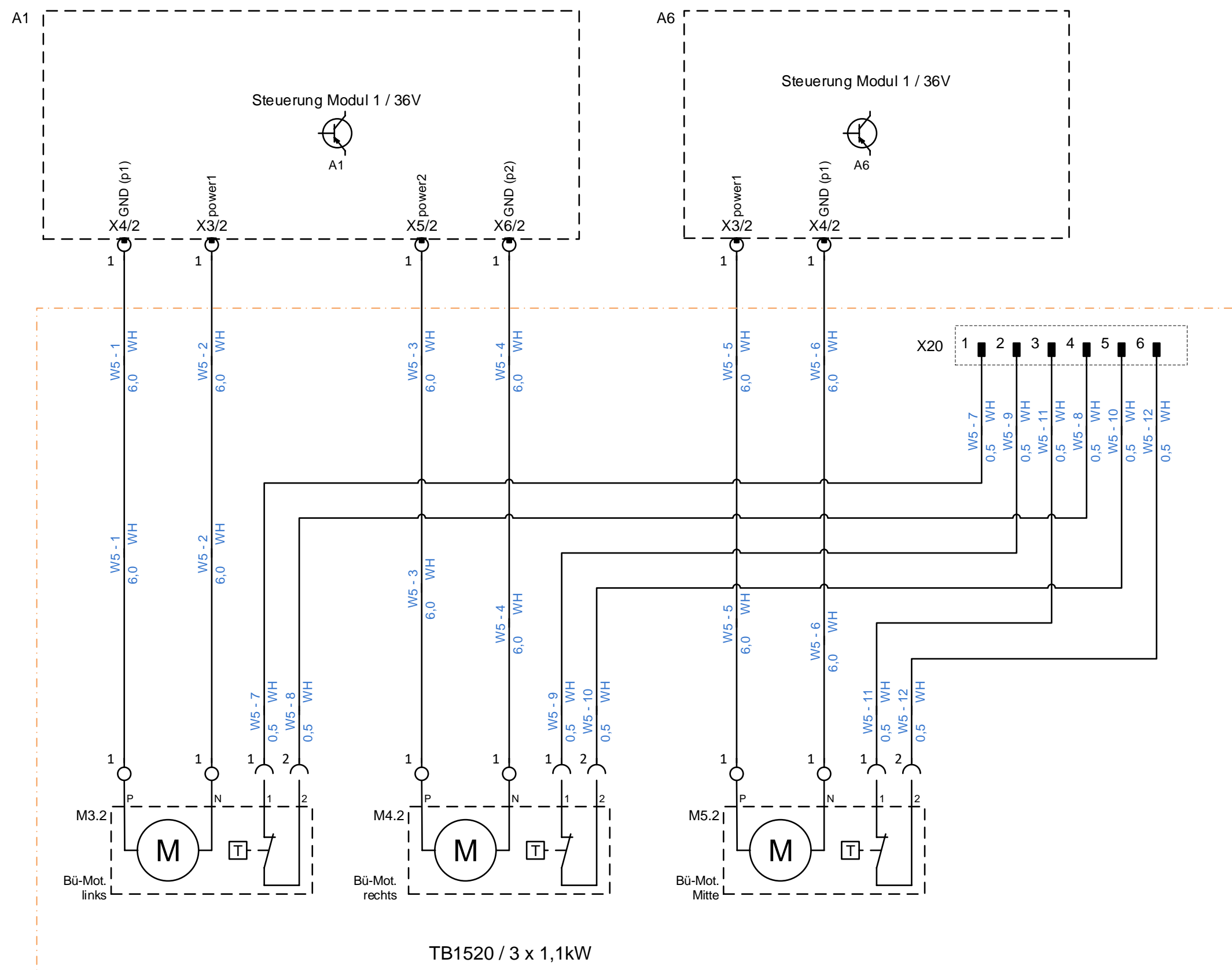


Freigabevermerk:		4		1x		4537-00		21.07.2022		Ri		Date		Name		B400 R		Name		Schaltplan B400 R / circuit diagram B400 R		Drawing Number		A2	
		No.		Number appears		Change No.		Date		Name		Std.		4315-77		Replacement for		For this drawing we reserve all rights (acc. DIN ISO 16016)		Engineering Base 6.9.1		Type 7437		Dept. DS	
																				No. of Sh.28		Sheet 10			



### Legende

- A1 Steuerung Modul 1 / 36V
- A6 Steuerung Modul 1 / 36V
- M3.2 Tellerbürstenmotor links TB1520  
plate brush motor left TB1520
- M4.2 Tellerbürstenmotor rechts TB1520  
plate brush motor right TB1520
- M5.2 Tellerbürstenmotor mitte TB1520  
plate brush motor middle TB1520
- X20 Mini-Fit Jr. 6-pol. W5-W3  
Mini-Fit Jr. 6-pol. W5-W3

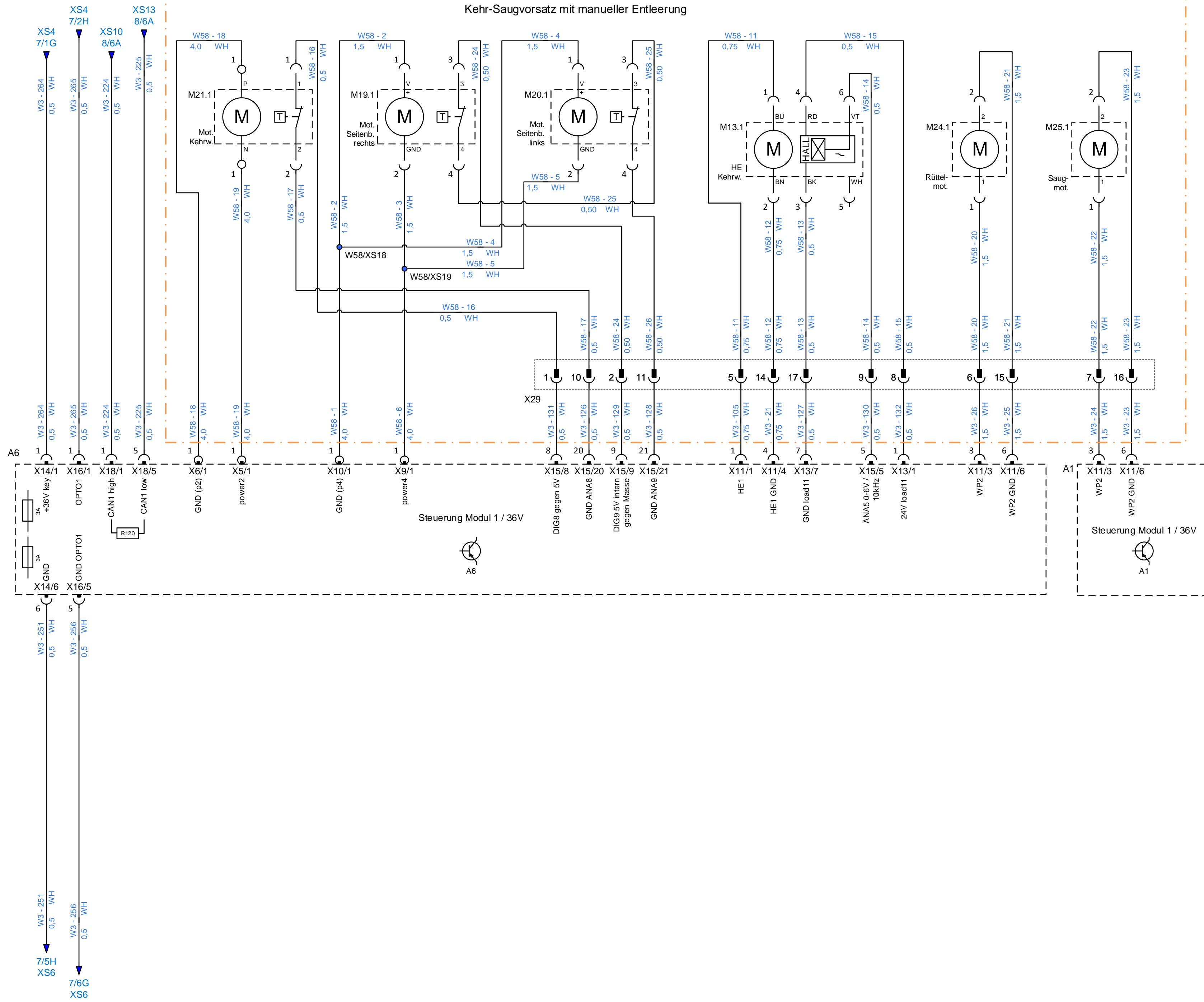


Freigabevermerk:		4	*/*	4537-00	21.07.2022	Ri	Date	Name	<b>B400 R</b>	Name	<b>Schaltplan B400 R / circuit diagram B400 R</b>		Hako GmbH D-23840 Bad Oldesloe		Drawing Number		A2
		No.	Number appears	Change No.	Date	Name	Std.		4315-77	Replacement for					For this drawing we reserve all rights (acc. DIN ISO 16016)		Engineering Base 6.9.1

Kehr-Saugvorsatz mit manueller Entleerung

Legende

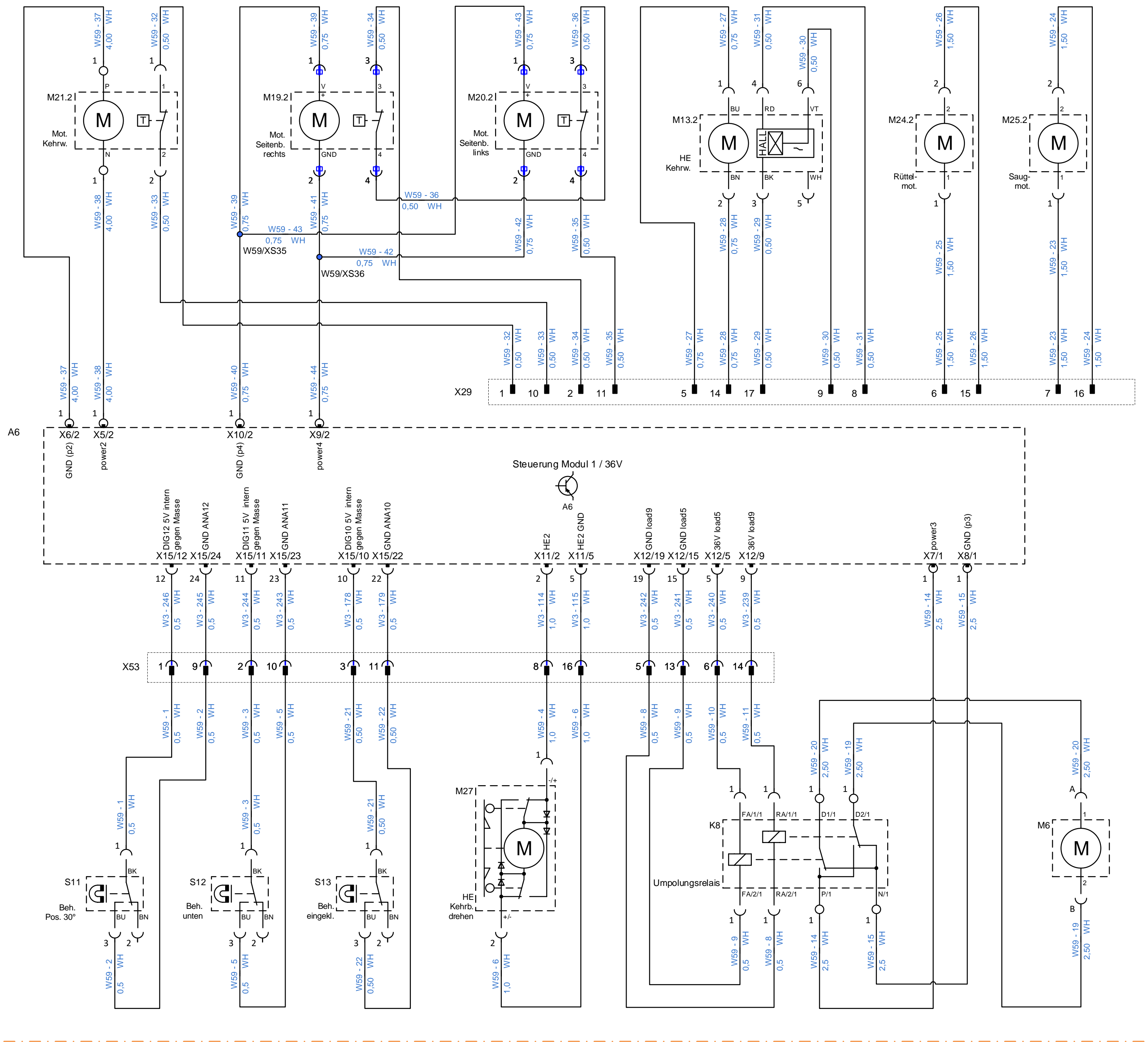
- A1 Steuerung Modul 1 / 36V
- A6 Steuerung Modul 1 / 36V
- A6 Steuerung Modul 1 / 36V
- A6 Steuerung Modul 1 / 36V
- M13.1 Hubelement kehrwalze  
actuator sweeping broom
- M19.1 Motor Seitenbesen rechts  
motor side broom right
- M20.1 Motor Seitenbesen links  
motor side broom left
- M21.1 Motor Kehrwalze  
motor sweeping broom
- M24.1 Rüttelmotor 36V  
vibration motor 36V
- M25.1 Saugmotor 36V  
suction motor 36V
- w58/XS18 USSP
- w58/XS19 USSP
- w58/XS19 USSP
- X29 Mini-Fit Jr. 18-pol. w59  
Mini-Fit Jr. 18-pol. w59



Freigabevermerk:		4		*/*		4537-00		21.07.2022		Ri		Date		Name		B400 R		Name		Drawing Number		A2	
		No.		Number appears		Change No.		Date		Name		Std.				Replacement for		Schaltplan B400 R / circuit diagram B400 R		Hako		91040360	
														4315-77		For this drawing we reserve all rights (acc. DIN ISO 16016)		Engineering Base 6.9.1		Type 7437 Dept. DS		No. of Sh.28 Sheet 12	

### Legende

- A6 Steuerung Modul 1 / 36V
- A6 Steuerung Modul 1 / 36V
- K8 Umpolungsrelais 36V
- K8 turn-over relay 36V
- M6 Hydraulikmotor 36V
- M6 hydraulik motor 36V
- M13.2 Hubelement Kehrwalze
- M13.2 actuator sweeping broom
- M19.2 Motor Seitenbesen rechts
- M19.2 motor side broom right
- M20.2 Motor Seitenbesen links
- M20.2 motor side broom left
- M21.2 Motor Kehrwalze 36V 600W
- M21.2 motor sweeping broom 36V 600W
- M24.2 Rüttelmotor 36V
- M24.2 vibration motor 36V
- M25.2 Saugmotor 36V
- M25.2 suction motor 36V
- M27 Hubelement Behälter drehen 24V
- M27 actuator container move 24V
- S11 Schlitzschalter Behälter 30°
- S11 switch container position 30°
- S12 Schlitzschalter Behälter unten
- S12 switch container lowered
- S13 Schlitzschalter Behälter zu
- S13 switch container closed
- W59/XS35 USSP
- ussp
- W59/XS36 USSP
- ussp
- X29 Mini-Fit Jr. 18-pol. W59
- Mini-Fit Jr. 18-pol. W59
- X53 Mini-Fit Jr. 16-pol. W59-W3
- Mini-Fit Jr. 16-pol. W59-W3

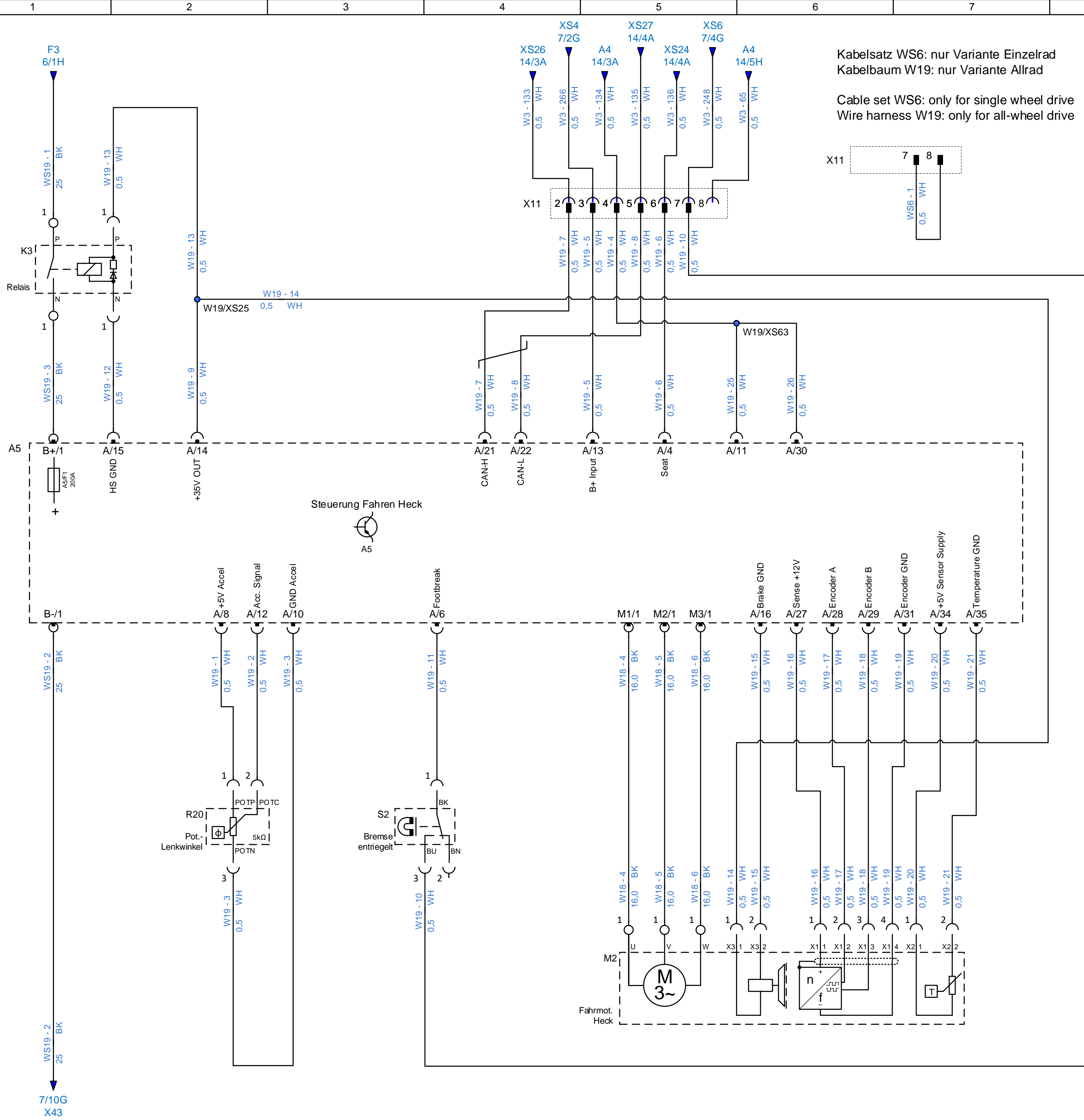


Freigabevermerk:		4	*/*	4537-00	21.07.2022	Ri	Date	Name	B400 R	Name	Schaltplan B400 R / circuit diagram B400 R		Drawing Number		A2
		No.	Number appears	Change No.	Date	Name	Std.	Verified	12.03.2020	Ri	Replacement for		Engineering Base 6.9.1		
											4315-77		Type 7437 Dept. DS		No. of Sh.28
For this drawing we reserve all rights (acc. DIN ISO 16016)											No. of Sh.28		Sheet 13		



Hako GmbH  
D-23840 Bad Odesloe






Kabelsatz WS6: nur Variante Einzelrad  
 Kabelbaum W19: nur Variante Allrad

Cable set WS6: only for single wheel drive  
 Wire harness W19: only for all-wheel drive

**Legende**

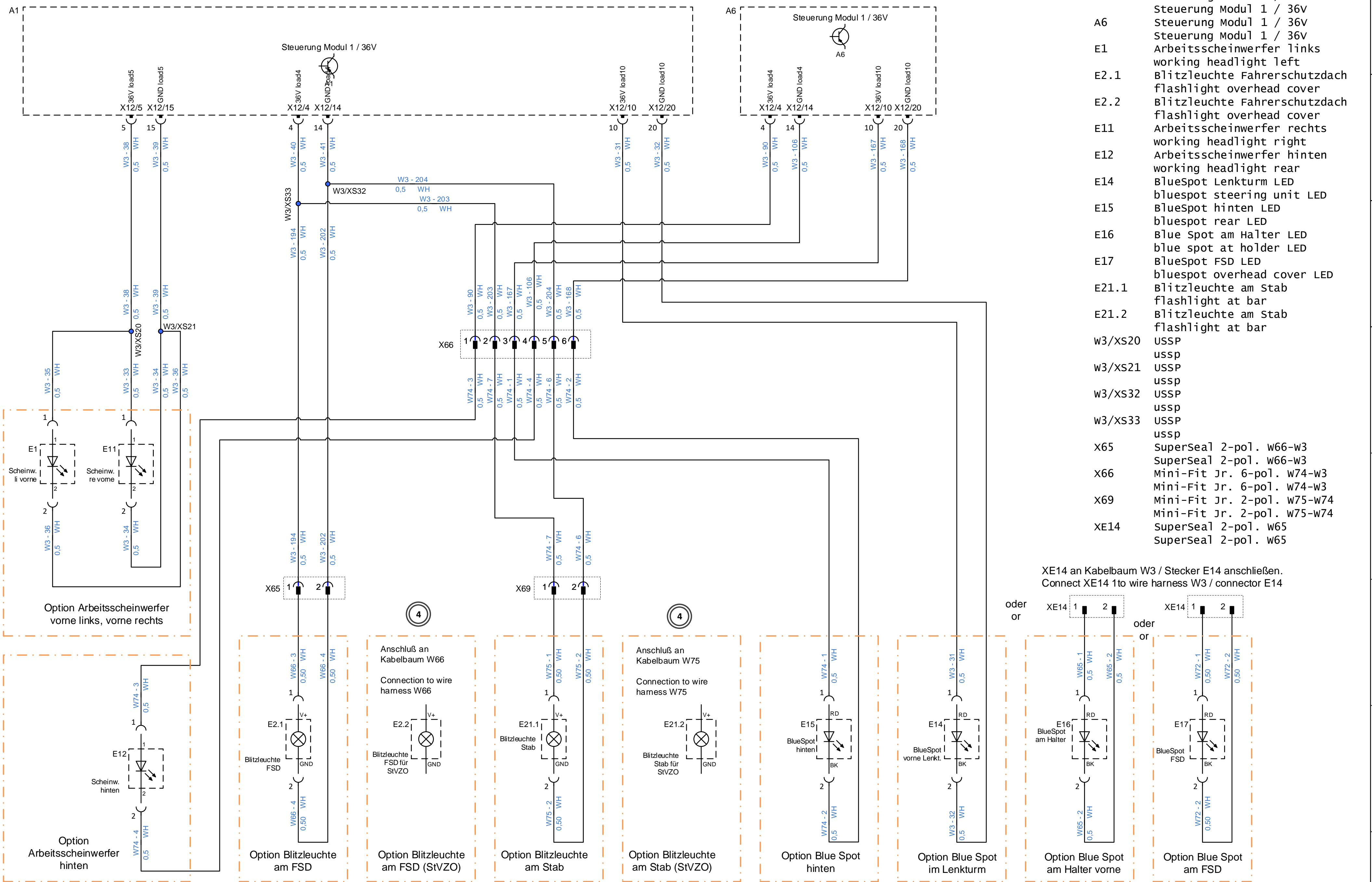
A5	Steuerung Fahren Heck drive controller rear 36V/250A
K3	Relais Fahrsteuerung Heck relay drive controller rear
M2	Fahrmotor Heck drive motor rear
R20	Lenkwinkelpotentiometer 5kΩ steer angle potentiometer 5kΩ
S2	Schalter Bremse entriegelt switch brake released
w19/xs25	USSP
w19/xs63	USSP
x11	USSP
x11	Mini-Fit Jr. 8-pol. WS6 Mini-Fit Jr. 8-pol. WS6

Freigabevermerk:		4	*/*	4537-00	21.07.2022	Ri	Date 12.03.2020 Name Ri	B400 R Replacement for 4315-77	Name Schaltplan B400 R / circuit diagram B400 R	 Hako GmbH D-23840 Bad Olsesloe		Drawing Number 91040360	A2
No.	Number appears	Change No.	Date	Name	Std.	For this drawing we reserve all rights (acc. DIN ISO 16016)			Engineering Base 6.9.1	Type 7437	Dept. DS	No. of Sh.28	Sheet 15

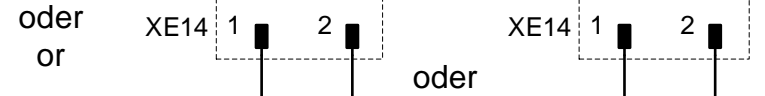


### Legende

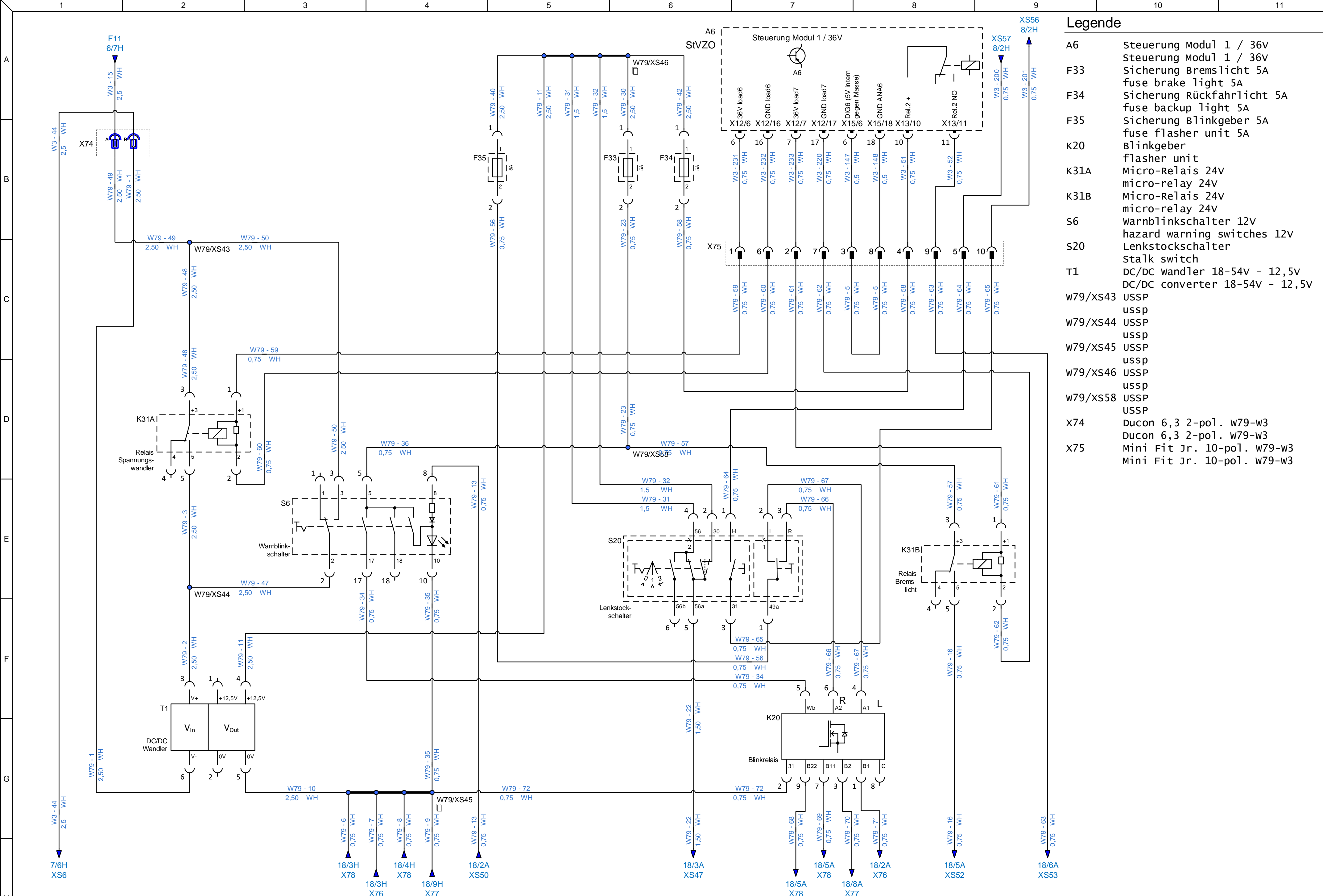
- A1 Steuerung Modul 1 / 36V
- A6 Steuerung Modul 1 / 36V
- E1 Arbeitsscheinwerfer links  
working headlight left
- E2.1 Blitzleuchte Fahrerschutzdach  
flashlight overhead cover
- E2.2 Blitzleuchte Fahrerschutzdach  
flashlight overhead cover
- E11 Arbeitsscheinwerfer rechts  
working headlight right
- E12 Arbeitsscheinwerfer hinten  
working headlight rear
- E14 BlueSpot Lenkturm LED  
bluespot steering unit LED
- E15 BlueSpot hinten LED  
bluespot rear LED
- E16 Blue Spot am Halter LED  
blue spot at holder LED
- E17 BlueSpot FSD LED  
bluespot overhead cover LED
- E21.1 Blitzleuchte am Stab  
flashlight at bar
- E21.2 Blitzleuchte am Stab  
flashlight at bar
- W3/XS20 USSP  
ussp
- W3/XS21 USSP  
ussp
- W3/XS32 USSP  
ussp
- W3/XS33 USSP  
ussp
- X65 SuperSeal 2-pol. w66-w3  
SuperSeal 2-pol. w66-w3
- X66 Mini-Fit Jr. 6-pol. w74-w3  
Mini-Fit Jr. 6-pol. w74-w3
- X69 Mini-Fit Jr. 2-pol. w75-w74  
Mini-Fit Jr. 2-pol. w75-w74
- XE14 SuperSeal 2-pol. w65  
SuperSeal 2-pol. w65



XE14 an Kabelbaum W3 / Stecker E14 anschließen.  
Connect XE14 1 to wire harness W3 / connector E14

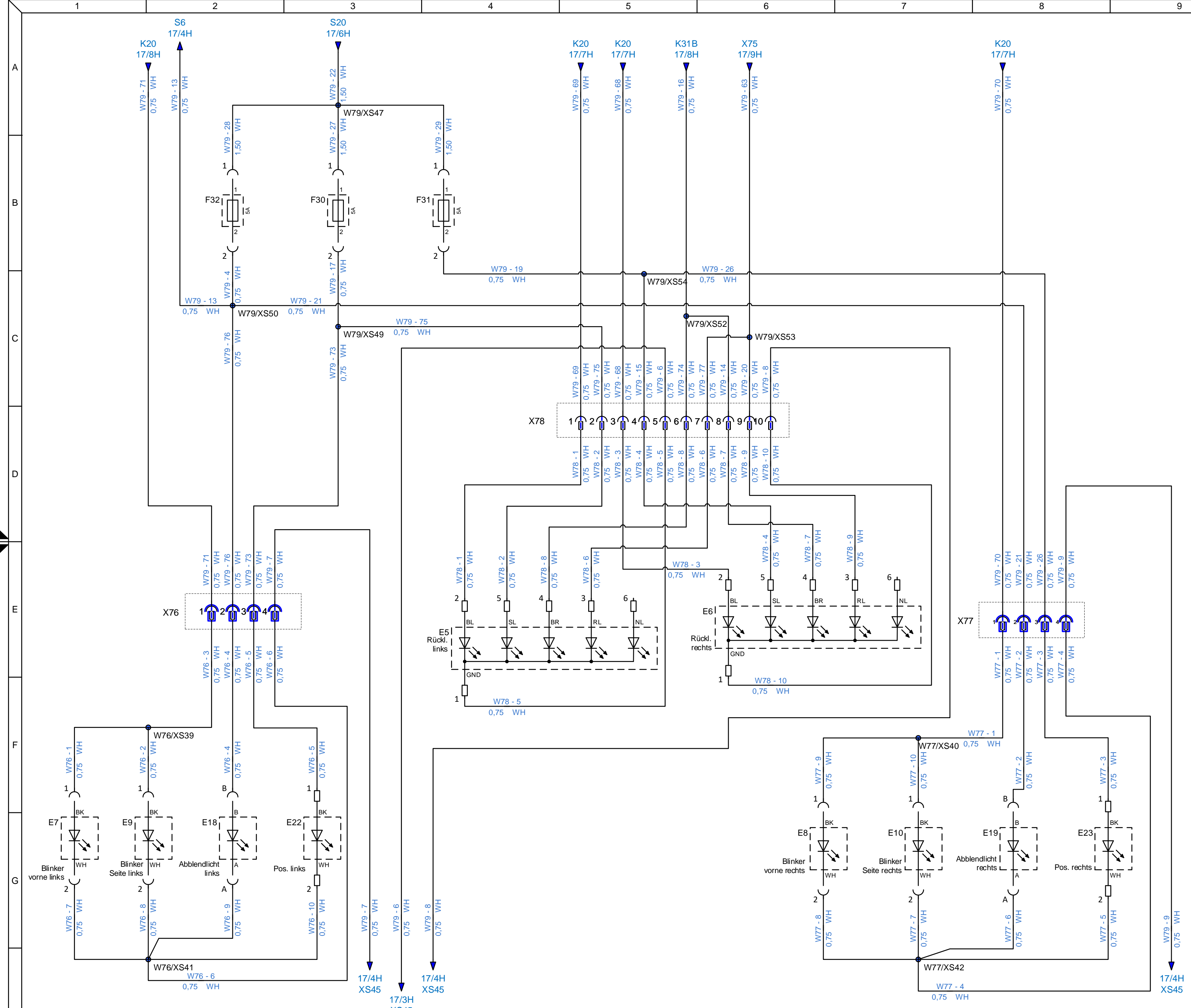


Freigabevermerk:		4		2x		4537-00		21.07.2022		Ri		Date		Name		<b>B400 R</b>		Name		Drawing Number		A2	
		No.		Number appears		Change No.		Date		Name		Std.				Replacement for		Schaltplan B400 R / circuit diagram B400 R		Engineering Base 6.9.1		Type 7437	
																4315-77		For this drawing we reserve all rights (acc. DIN ISO 16016)		Engineering Base 6.9.1		Sheet 16	
																				Hako		No. of Sh.28	
																				Hako GmbH		91040360	
																				D-23840 Bad Oldesloe		Sheet 16	



- ### Legende
- A6 Steuerung Modul 1 / 36V
  - F33 Sicherung Bremslicht 5A
  - F34 Sicherung Rückfahrlicht 5A
  - F35 Sicherung Blinkgeber 5A
  - K20 Blinkgeber
  - K31A Micro-Relais 24V
  - K31B Micro-Relais 24V
  - S6 warnblinkschalter 12V
  - S20 Lenkstockschalter
  - T1 DC/DC Wandler 18-54V - 12,5V
  - W79/XS43 USSP
  - W79/XS44 USSP
  - W79/XS45 USSP
  - W79/XS46 USSP
  - W79/XS58 USSP
  - X74 Ducon 6,3 2-pol. w79-w3
  - X75 Mini Fit Jr. 10-pol. w79-w3

Freigabevermerk:		4		*/		4537-00		21.07.2022		Ri		Date		Name		B400 R		Name		Drawing Number		A2					
		No.		Number appears		Change No.		Date		Name		Std.				Replacement for		Schaltplan B400 R / circuit diagram B400 R		Hako		91040360					
														For this drawing we reserve all rights (acc. DIN ISO 16016)													
														Engineering Base 6.9.1													
														Type 7437 Dept. DS													
														No. of Sh.28 Sheet 17													

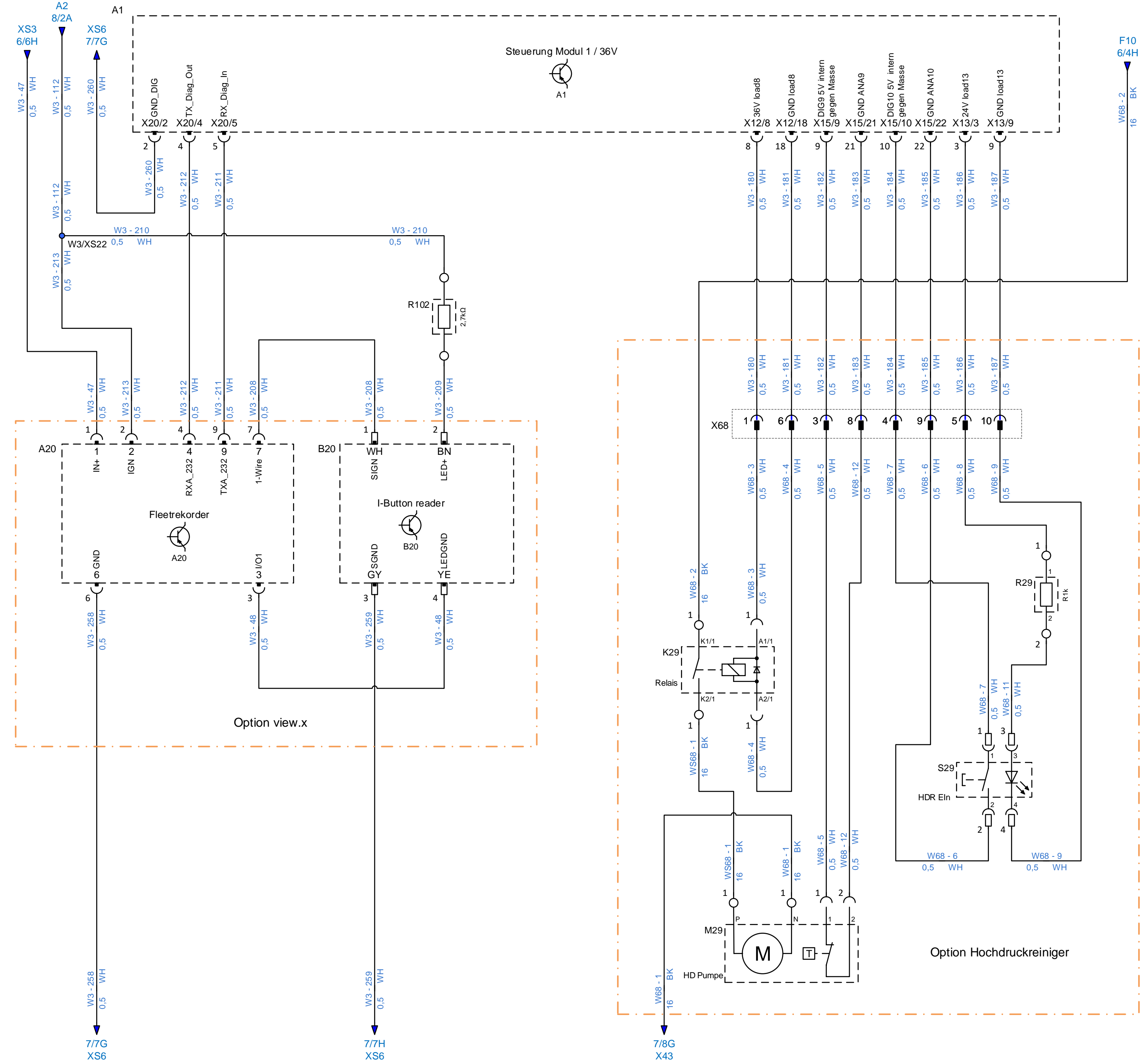


- ### Legende
- E5 Mehrkammerleuchte hinten links  
combination light rear left
  - E6 Mehrkammerleuchte hinten rechts  
combination light rear right
  - E7 Blinker vorne links  
indicator front left
  - E8 Blinker vorne rechts  
indicator front right
  - E9 Blinker links seitlich  
indicator side left
  - E10 Blinker rechts seitlich  
indicator side right
  - E18 Abblendscheinwerfer links LED  
driving light left LED
  - E19 Abblendscheinwerfer rechts LED  
driving light right LED
  - E22 Positionsleuchte links vorne  
position light front left
  - E23 Positionsleuchte rechts vorne  
position light front right
  - F30 Sicherung Positionsleuchte li 5A  
fuse position light left 5A
  - F31 Sicherung Positionsleuchte re 5A  
fuse position light right 5A
  - F32 Sicherung Abblendlicht 5A  
fuse low-beam headlights 5A
  - W76/XS39 USSP  
ussp
  - W76/XS41 USSP  
ussp
  - W77/XS40 USSP  
ussp
  - W77/XS42 USSP  
ussp
  - W79/XS47 USSP  
ussp
  - W79/XS49 USSP  
ussp
  - W79/XS50 USSP  
ussp
  - W79/XS52 USSP  
ussp
  - W79/XS53 USSP  
ussp
  - W79/XS54 USSP  
ussp
  - X76 SuperSeal 4-pol. W76-W79  
SuperSeal 4-pol. W76-W79
  - X77 SuperSeal 4-pol. W77-W79  
SuperSeal 4-pol. W77-W79
  - X78 Mini Fit Jr. 10-pol. W78-W79  
Mini Fit Jr. 10-pol. W78-W79

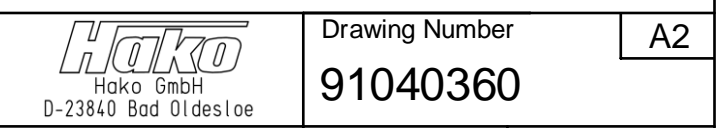
Freigabevermerk:		4	*/*	4537-00	21.07.2022	Ri	Date	Name	<b>B400 R</b>	Name	<b>Schaltplan B400 R / circuit diagram B400 R</b>		Drawing Number	<b>A2</b>
									Replacement for			Hako GmbH D-23840 Bad Oldesloe	<b>91040360</b>	
		No.	Number appears	Change No.	Date	Name	Std.		4315-77	For this drawing we reserve all rights (acc. DIN ISO 16016)		Engineering Base 6.9.1	Type 7437	Dept. DS
												No. of Sh.28	Sheet 18	

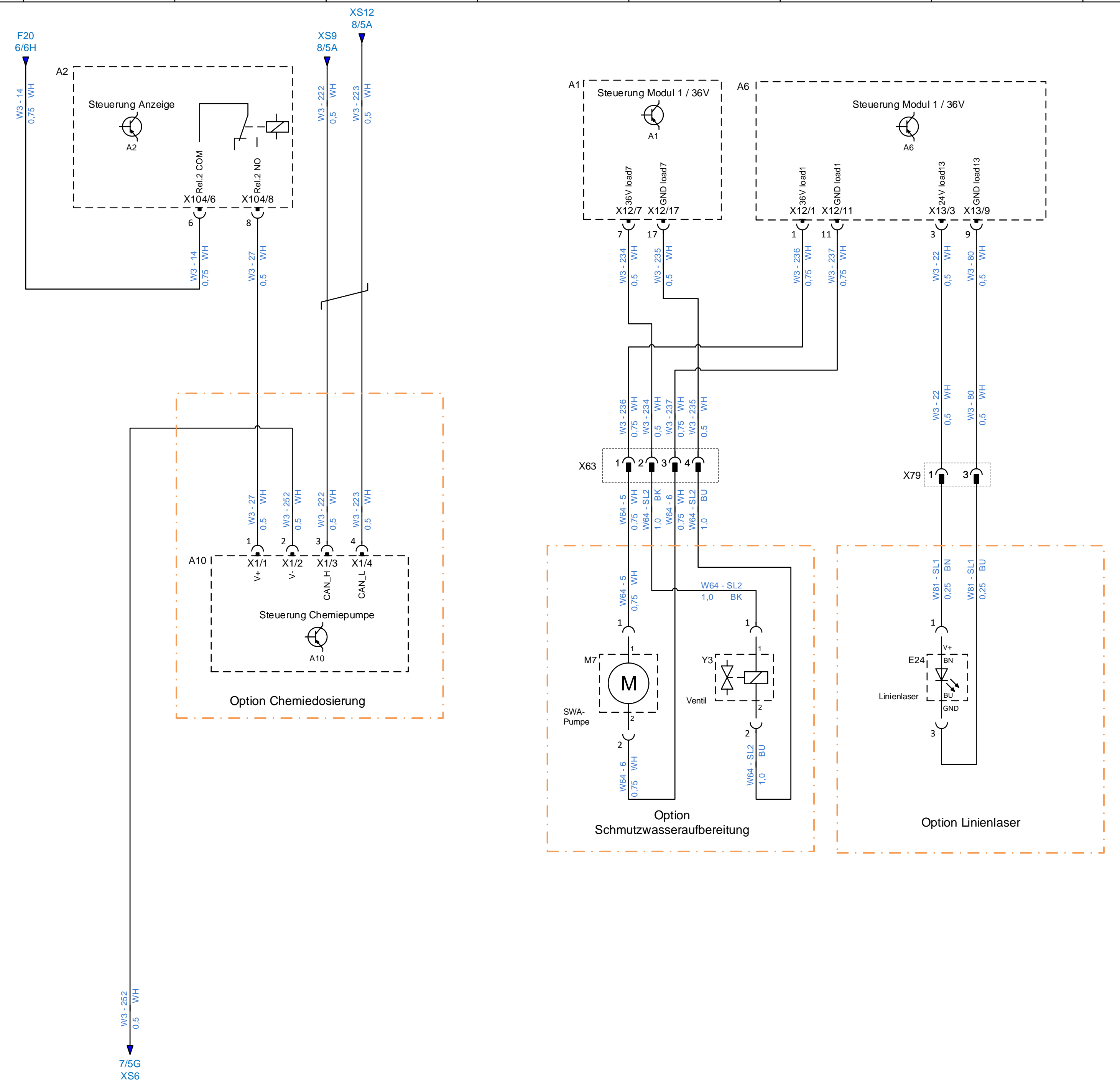
### Legende

- A1 Steuerung Modul 1 / 36V
- A20 Fleetrekorder
- A20 Fleetrekorder
- B20 I-Button reader
- B20 I-Button reader
- K29 Relais Pumpe HDR
- K29 relays high pressure pump
- M29 Hochdruckpumpe
- M29 high pressure pump
- R29 widerstand R1k
- R29 resistor R1k
- R102 widerstand 2,7kΩ
- R102 resistor 2,7kΩ
- S29 Taster HDR EIN
- S29 switch HDR on
- W3/XS22 ussp
- W3/XS22 ussp
- X68 Mini-Fit Jr. 10-pol. w68-w3
- X68 Mini-Fit Jr. 10-pol. w68-w3




Freigabevermerk:		4	*/*	4537-00	21.07.2022	Ri	Date	Name	<b>B400 R</b>	Name	Drawing Number		A2
		No.	Number appears	Change No.	Date	Name	Std.		Replacement for	Schaltplan B400 R / circuit diagram B400 R		91040360	
					4315-77					For this drawing we reserve all rights (acc. DIN ISO 16016)		Engineering Base 6.9.1	Type 7437
										No. of Sh.28		Sheet 19	

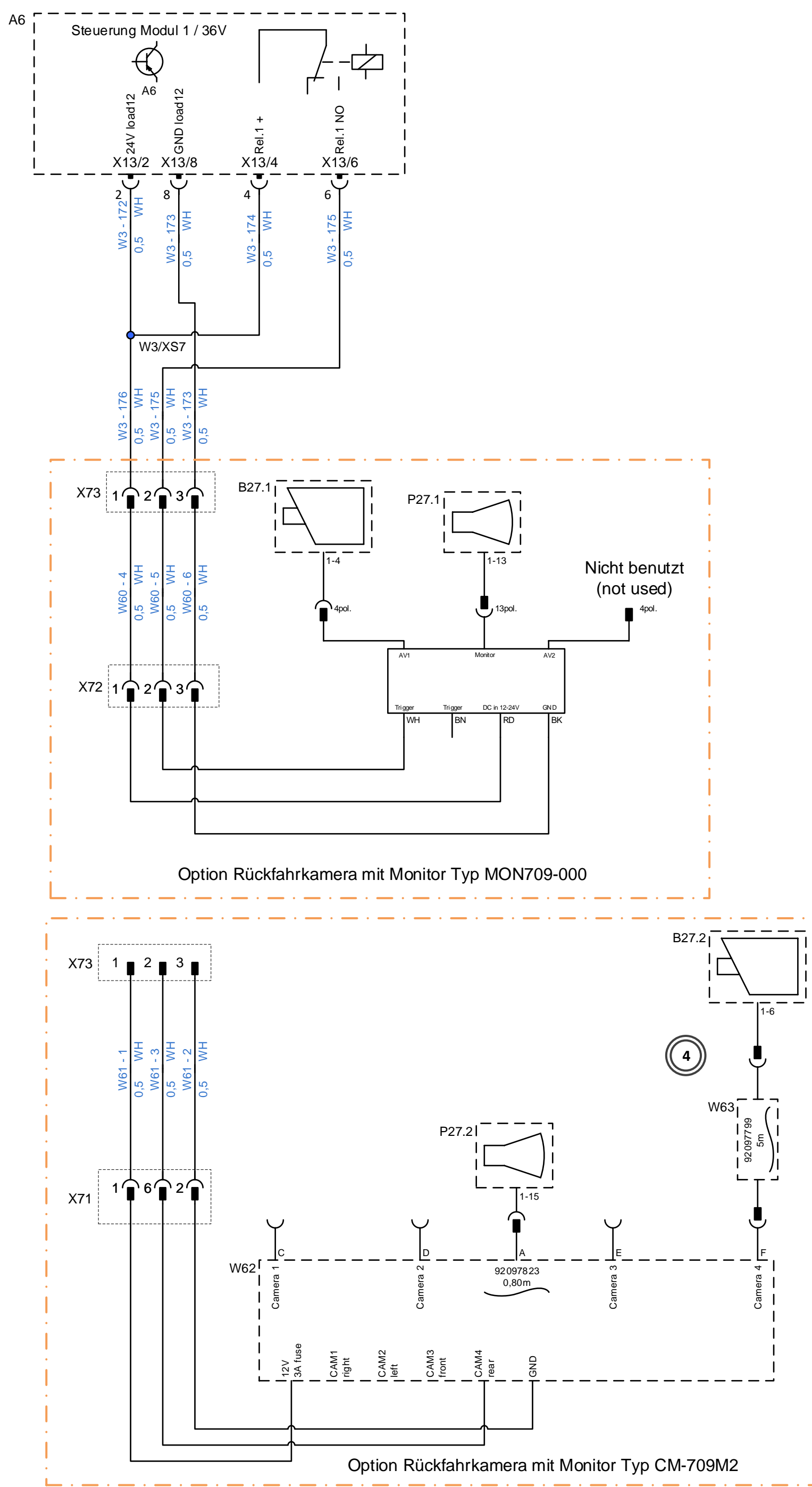
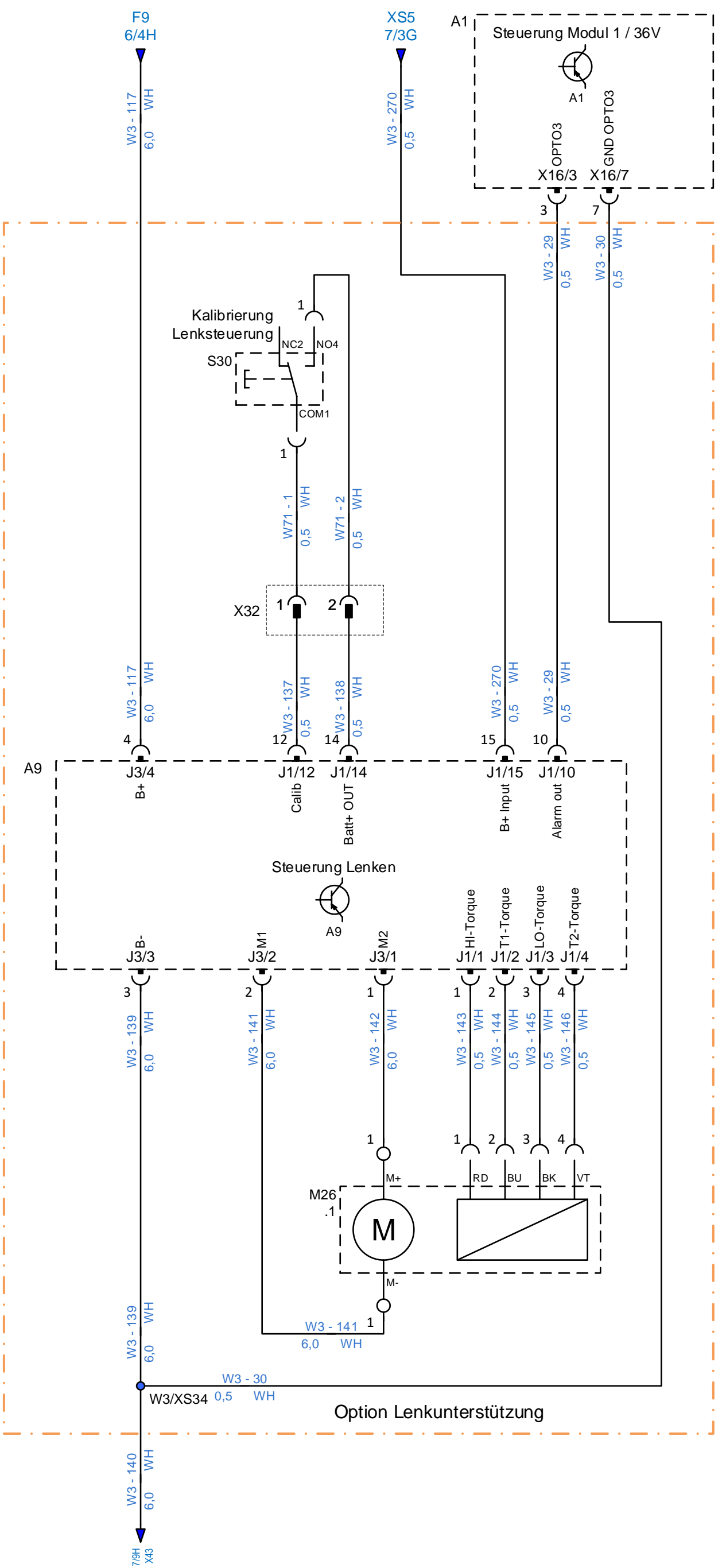




### Legende

A1	Steuerung Modul 1 / 36V
A2	Steuerung Anzeige
A6	Steuerung Modul 1 / 36V
A10	Steuerung Chemiepumpe
E24	Laser 10-30V
M7	Wasserrecyclingpumpe
X63	Mini Fit Jr. 4-pol. w64-w3
X79	Trennstelle 4-pol. w81-w3
Y3	Ventil wasserrecycling

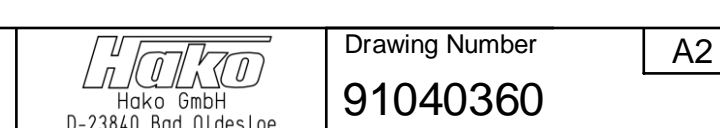
Freigabevermerk:		4	*/*	4537-00	21.07.2022	Ri	Date	Name	<b>B400 R</b>	Name	Schaltplan B400 R / circuit diagram B400 R		 Hako GmbH D-23840 Bad Oldesloe		Drawing Number	A2
No.	Number appears	Change No.	Date	Name	Std.	Drawn	15.03.2018	Ri	Replacement for	For this drawing we reserve all rights (acc. DIN ISO 16016)		Engineering Base 6.9.1	Type 7437	Dept. DS	No. of Sh.28	Sheet 20
						Verified			4315-77							

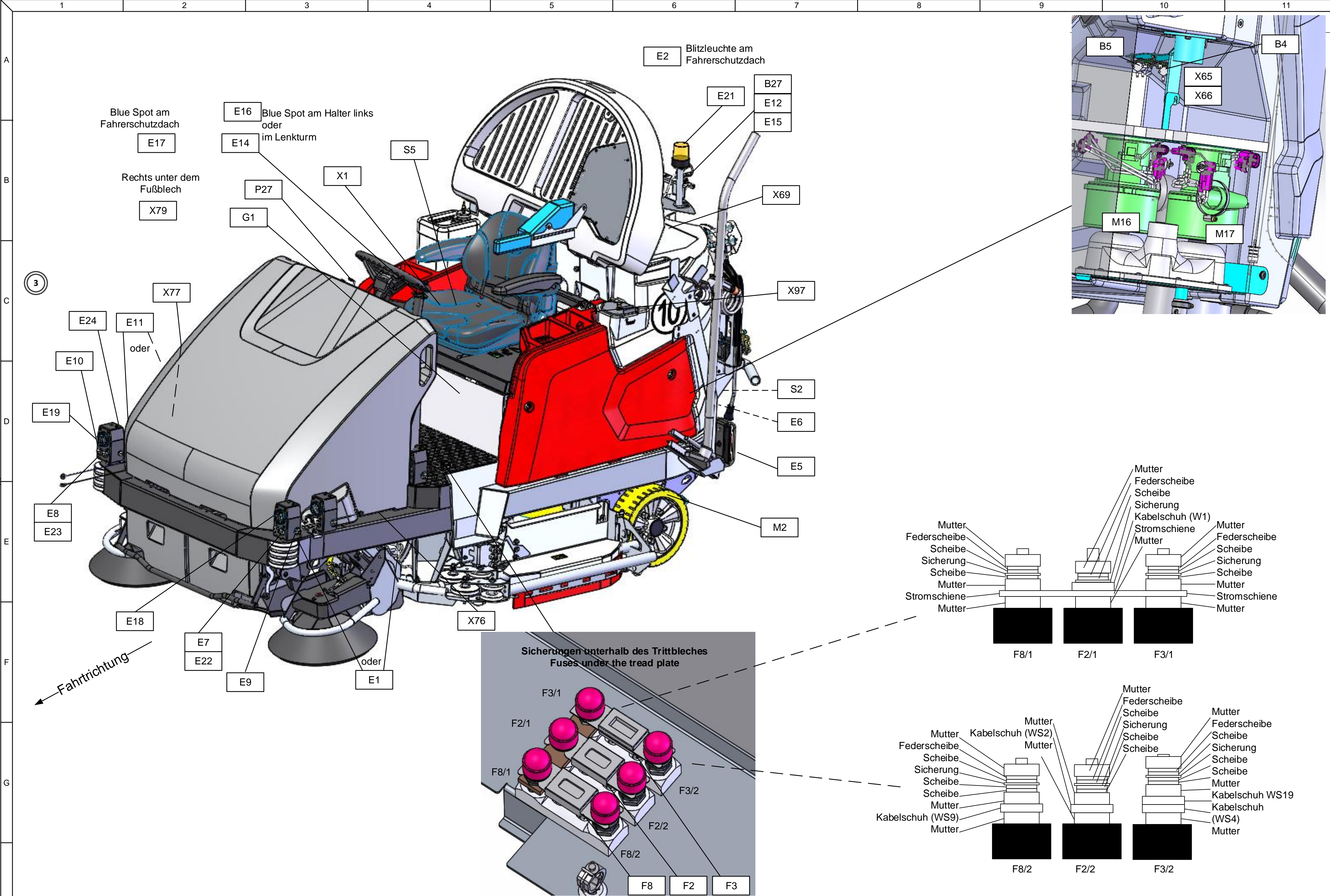


### Legende

A1	Steuerung Modul 1 / 36V
A6	Steuerung Modul 1 / 36V
A9	Steuerung Lenken controller steering
B27.1	Kamera camera
B27.2	Kamera camera
M26	Lenkmotor steering motor
P27.1	Monitor display
P27.2	Monitor display
S30	Kalibriertaster calibration switch
W3/XS7	USSP ussp
W3/XS34	USSP ussp
W62	Monitorkabel 0,80m cable monitor 0,80m
W63	Kamerakabel-6pol. 5m cable camera 6pol. 5m
X32	Mini-Fit Jr. 2-pol. W3-W71 Mini-Fit Jr. 2-pol. W3-W71
X71	Mini Fit Jr 8-pol.-W61 Mini Fit Jr 8-pol.-W61
X72	6.3 Fastin Faston 3-pol.-W60 6.3 Fastin Faston 3-pol.-W60
X73	6.3 Fastin Faston 3-pol. W61 6.3 Fastin Faston 3-pol. W61

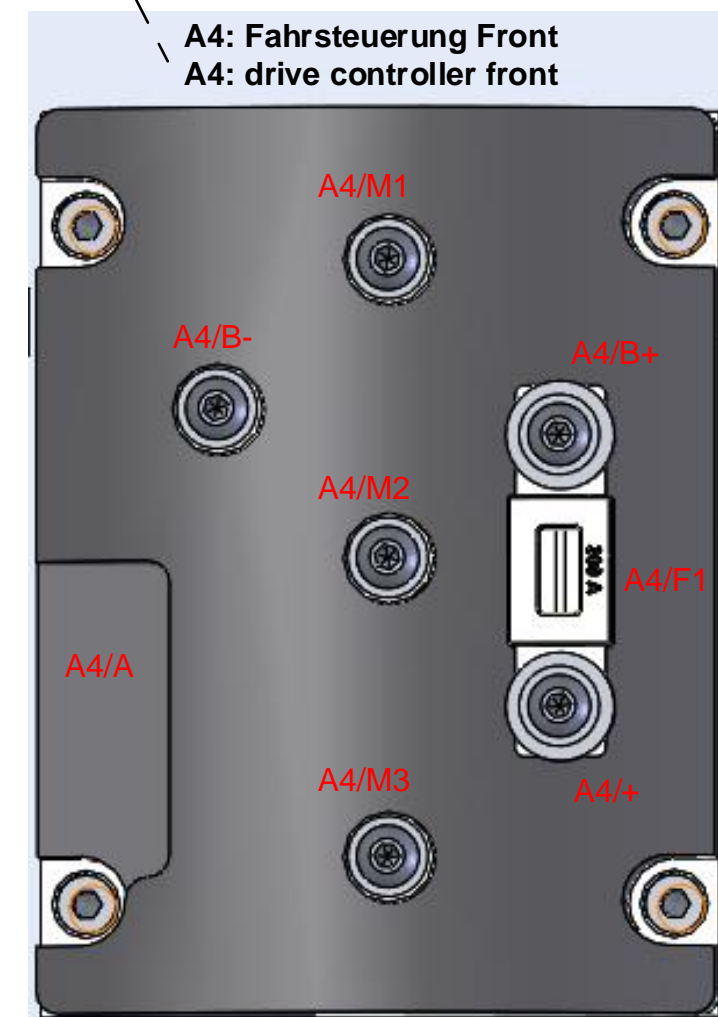
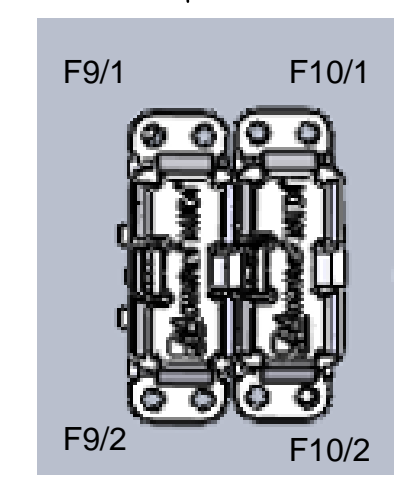
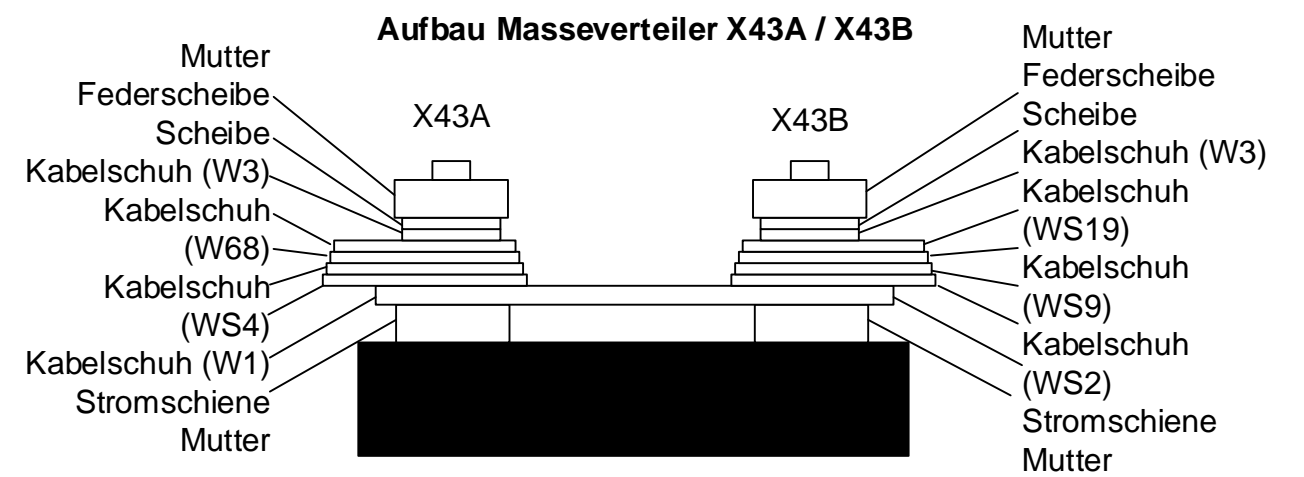
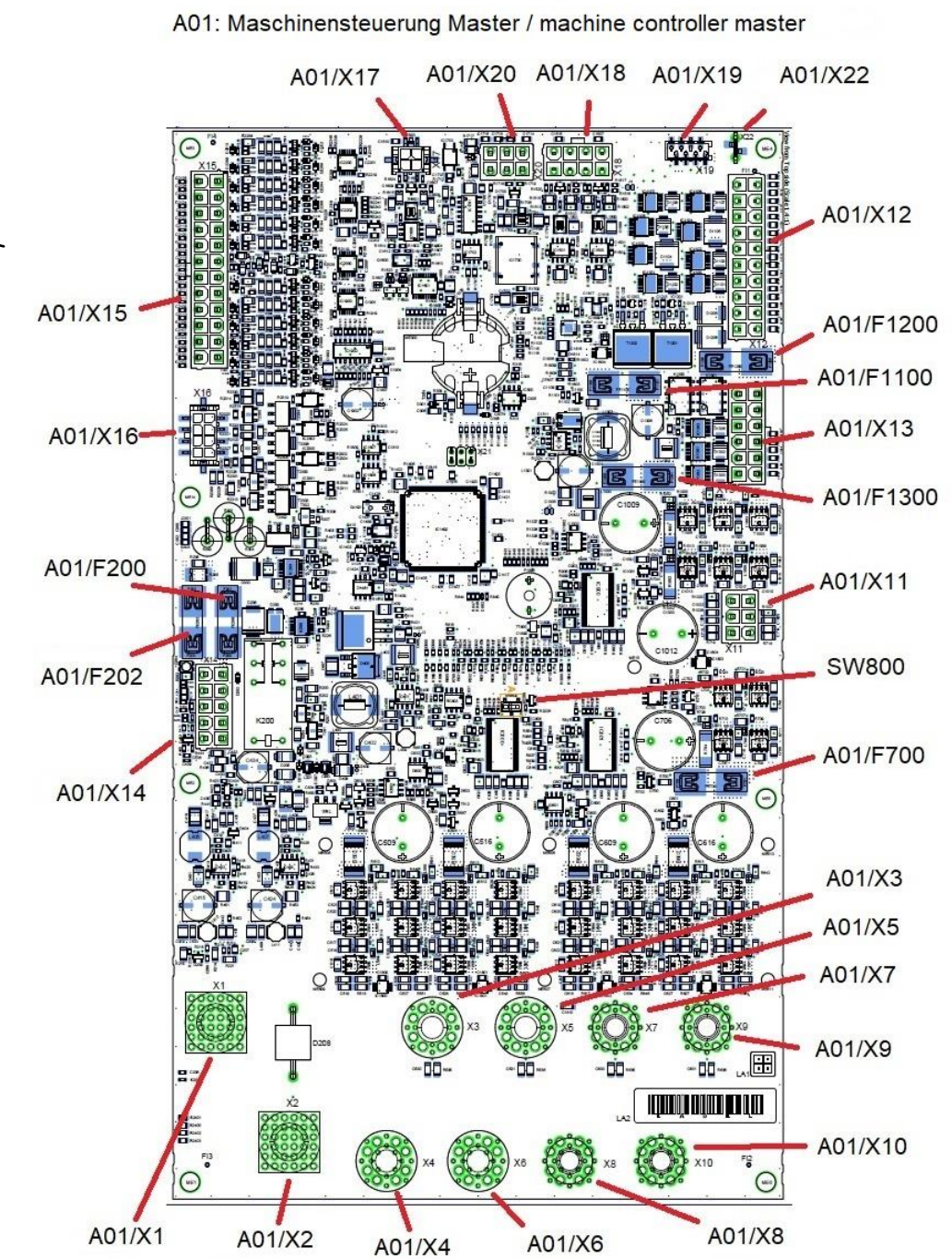
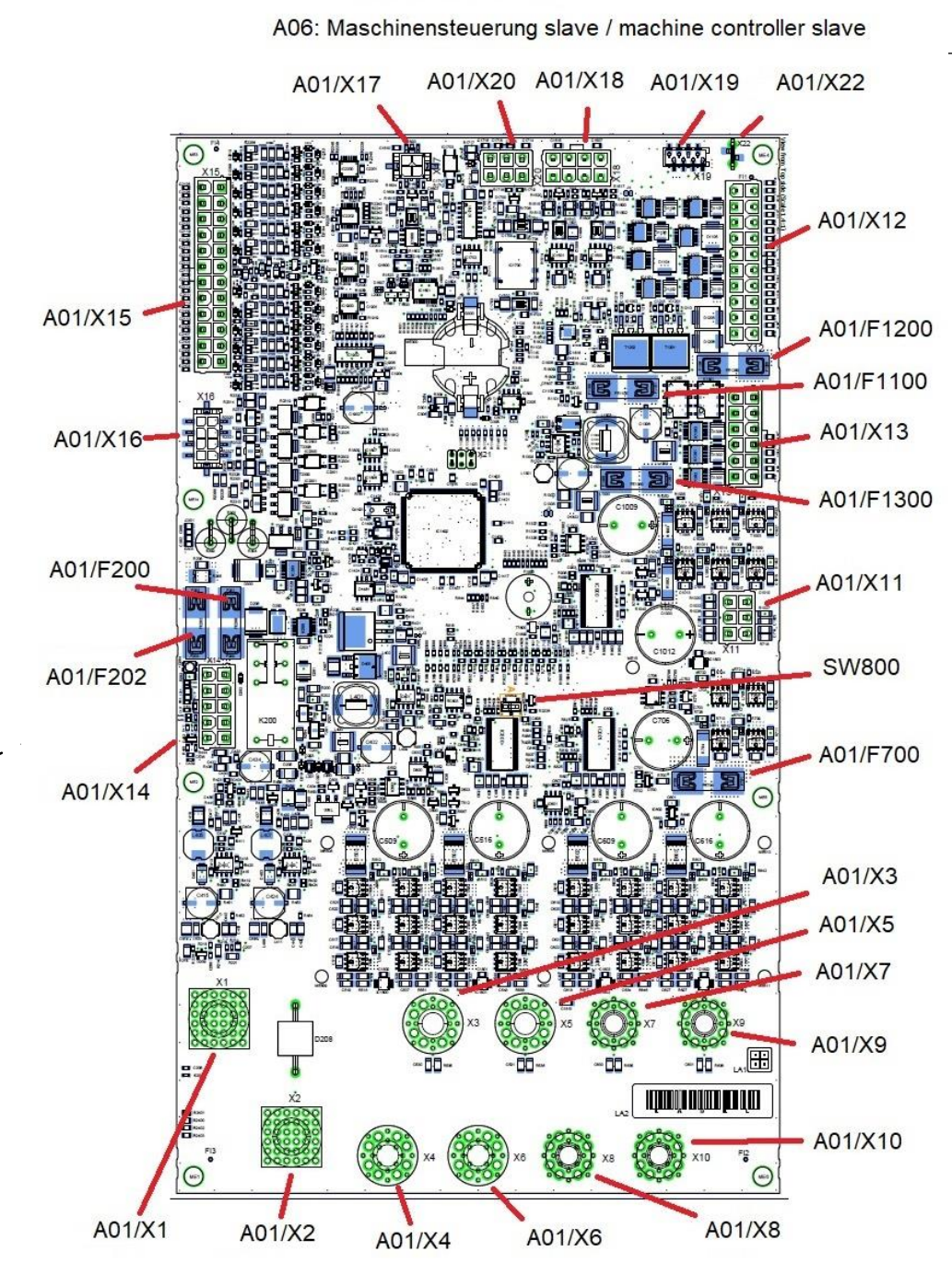
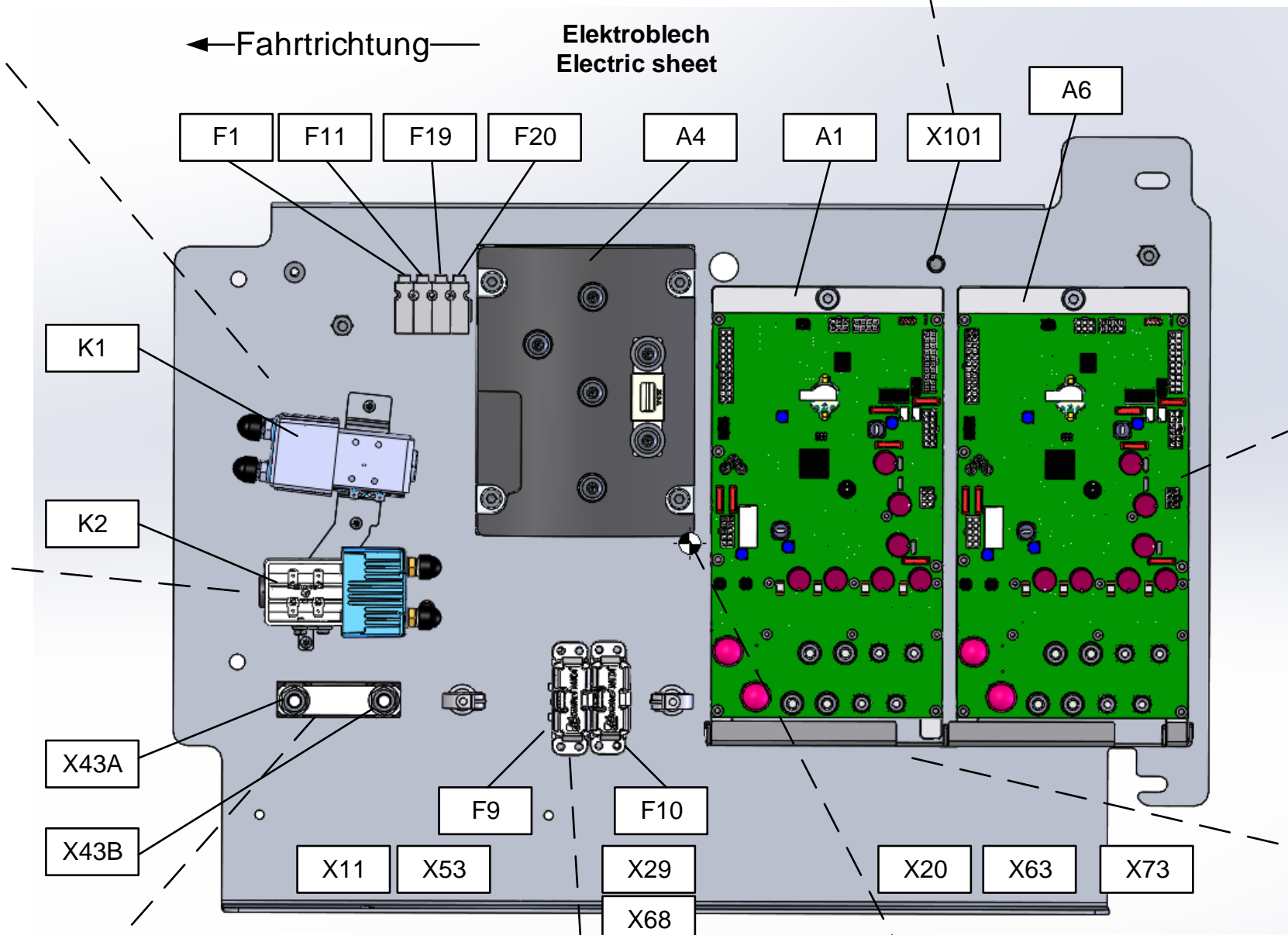
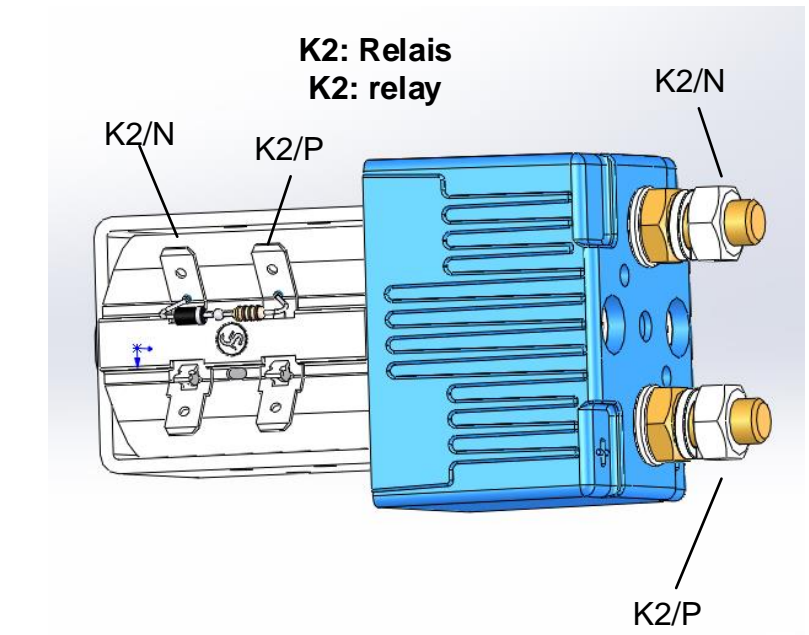
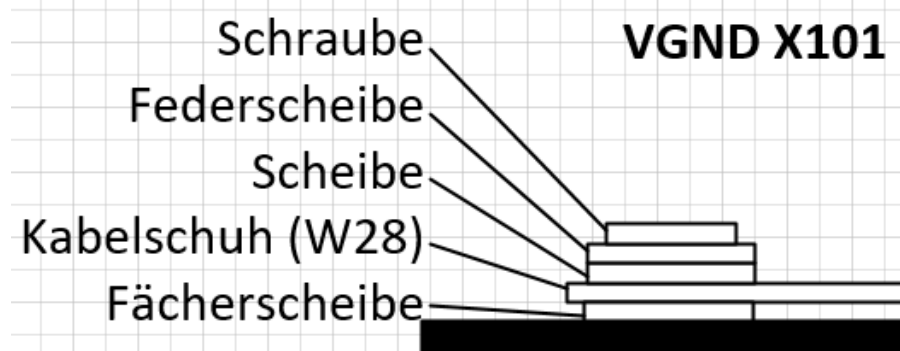
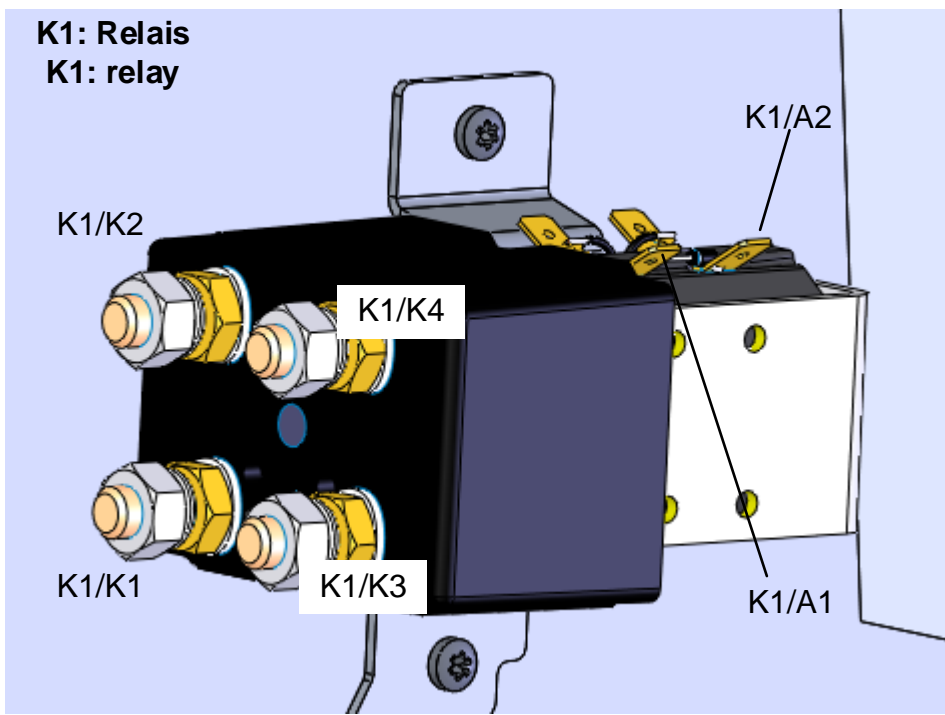
Freigabevermerk:		4	1x	4537-00	21.07.2022	Ri	Date	Name	<b>B400 R</b>	Name	Schaltplan B400 R / circuit diagram B400 R		Drawing Number		A2	
		No.	Number appears	Change No.	Date	Name	Std.		4315-77	For this drawing we reserve all rights (acc. DIN ISO 16016)		Engineering Base 6.9.1	Type 7437	Dept. DS	No. of Sh.28	Sheet 21



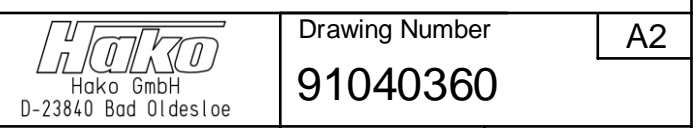


Fahrtrichtung

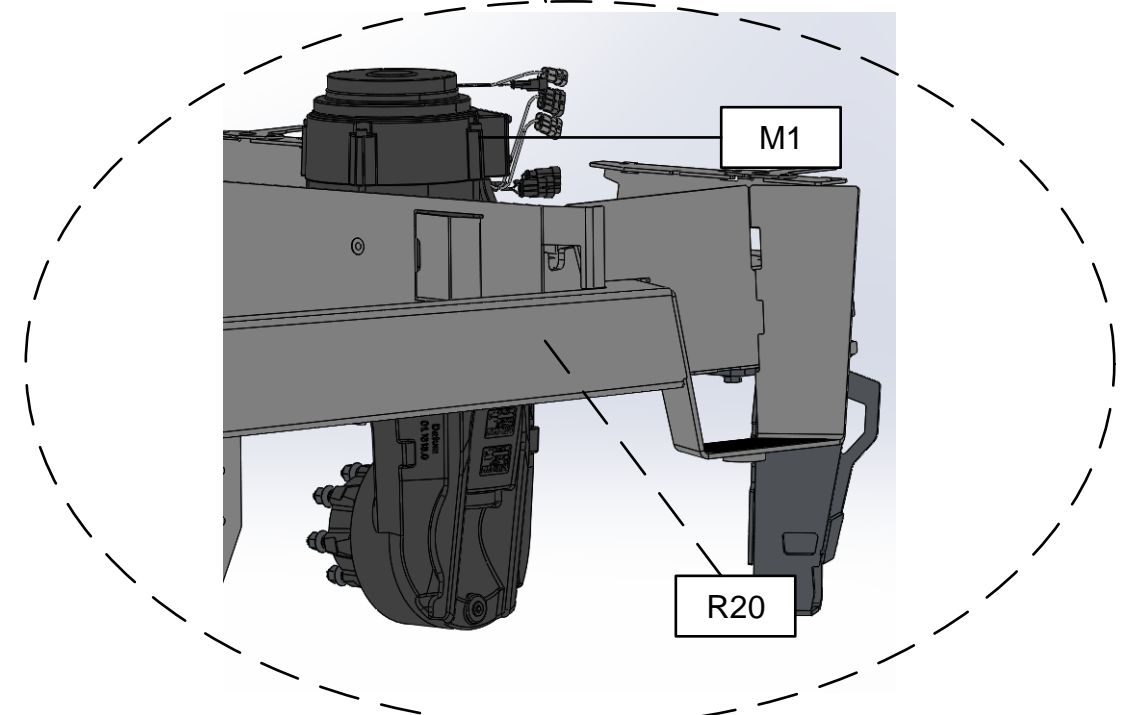
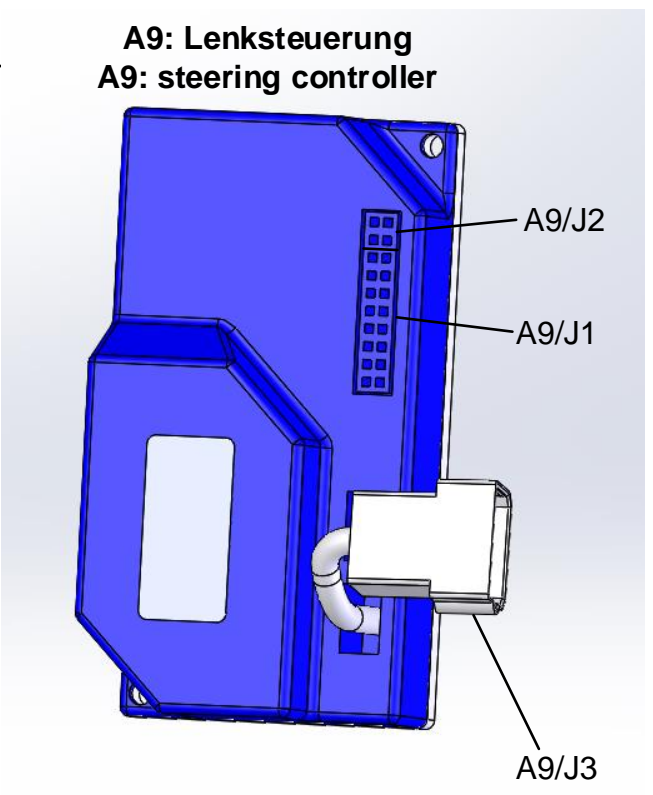
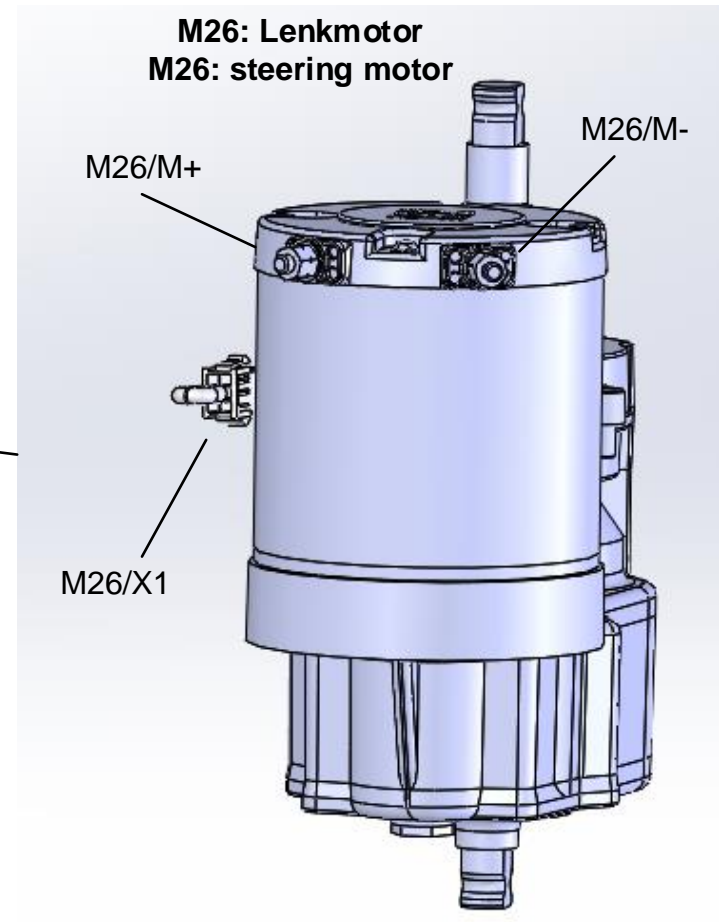
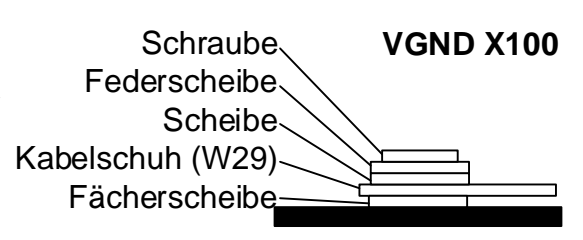
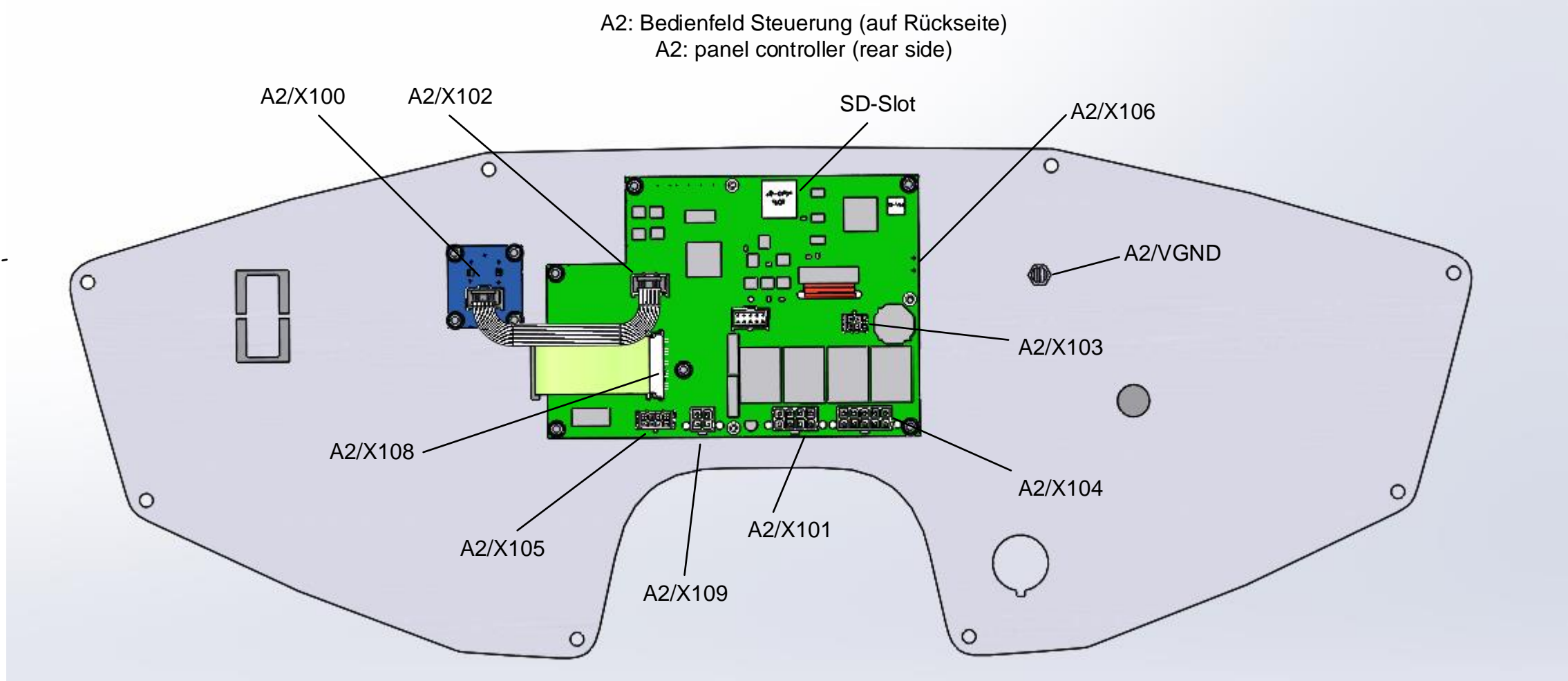
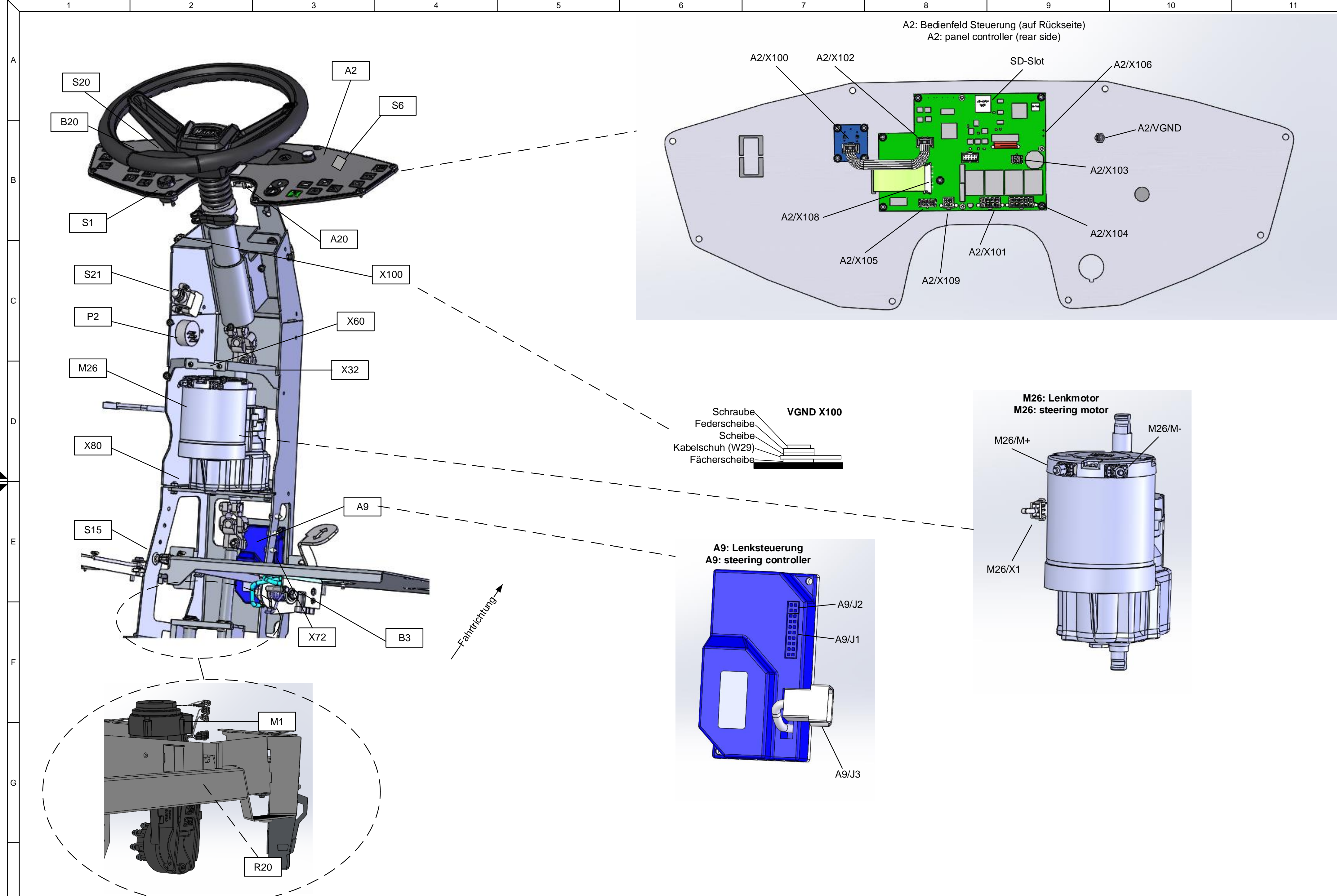
Freigabevermerk:		4	*/*	4537-00	21.07.2022	Ri	Date	Name	B400 R	Name	Hako		Drawing Number	A2
							Drawn	11.12.2019	Ri	Schaltplan B400 R / circuit diagram B400 R		Hako GmbH	91040360	
							Verified			For this drawing we reserve all rights (acc. DIN ISO 16016)		D-23840 Bad Oldesloe	No. of Sh.28	Sheet 23
No.	Number appears	Change No.	Date	Name	Std.				4315-77	Engineering Base 6.9.1	Type 7437	Dept. DS		



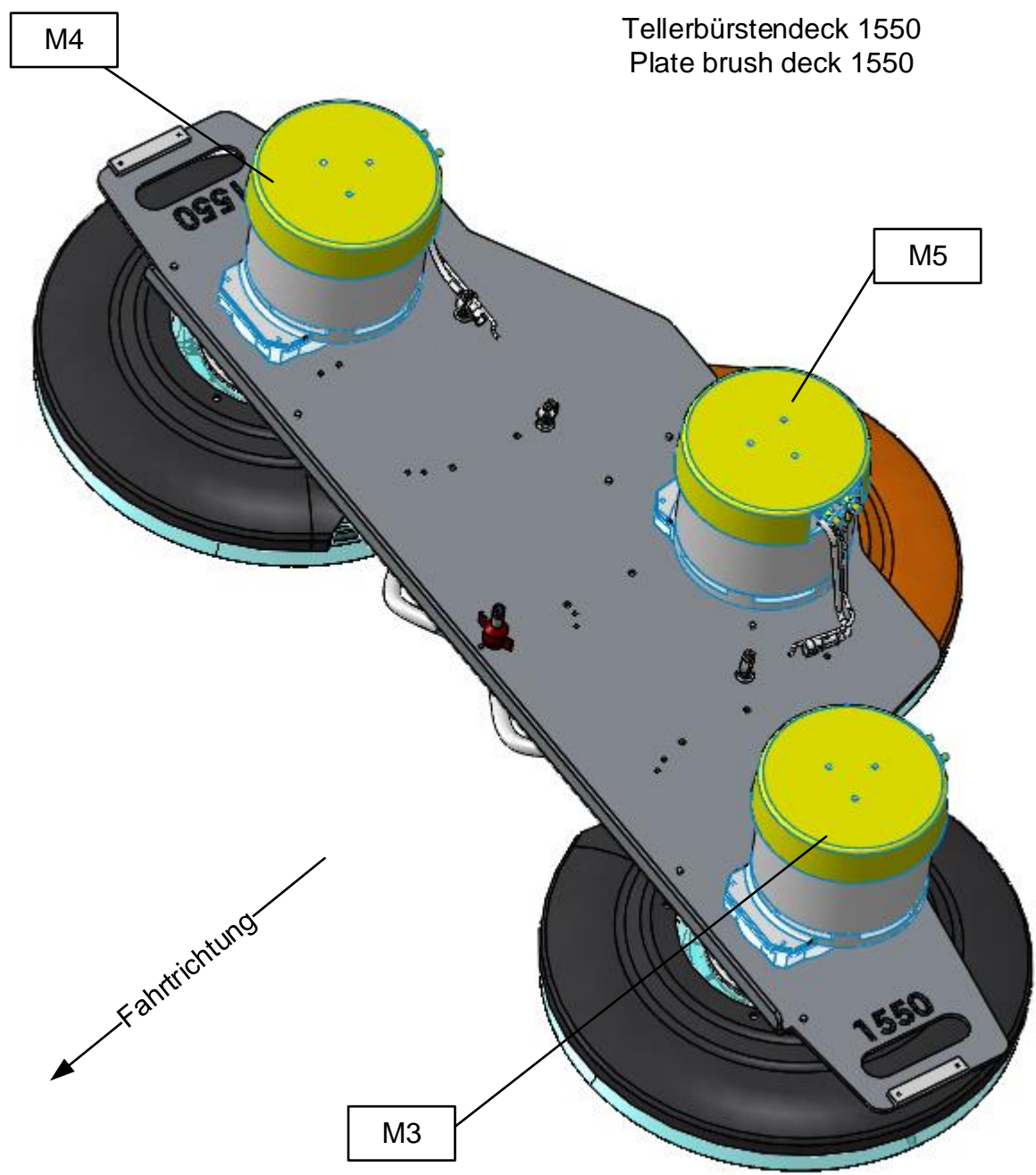
Freigabevermerk:		4	2x	4537-00	21.07.2022	Ri	Date	Name	<b>B400 R</b>	Name	Schaltplan B400 R / circuit diagram B400 R		Drawing Number		A2
		No.	Number appears	Change No.	Date	Name	Std.	Drawn	15.03.2018	Ri	Replacement for		Engineering Base 6.9.1		
				4315-77					For this drawing we reserve all rights (acc. DIN ISO 16016)		Type 7437		Dept. DS	No. of Sh. 28	Sheet 24



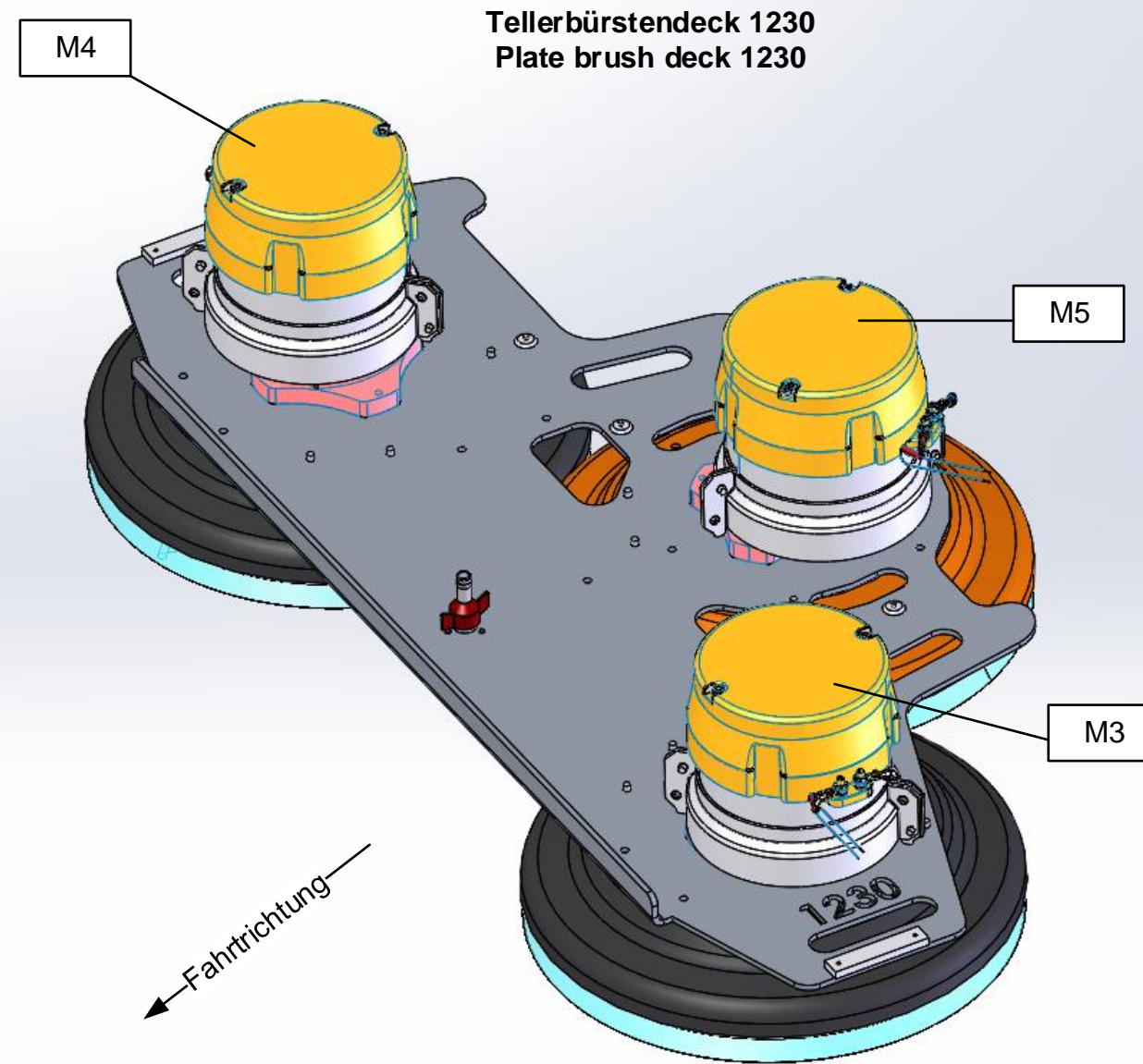




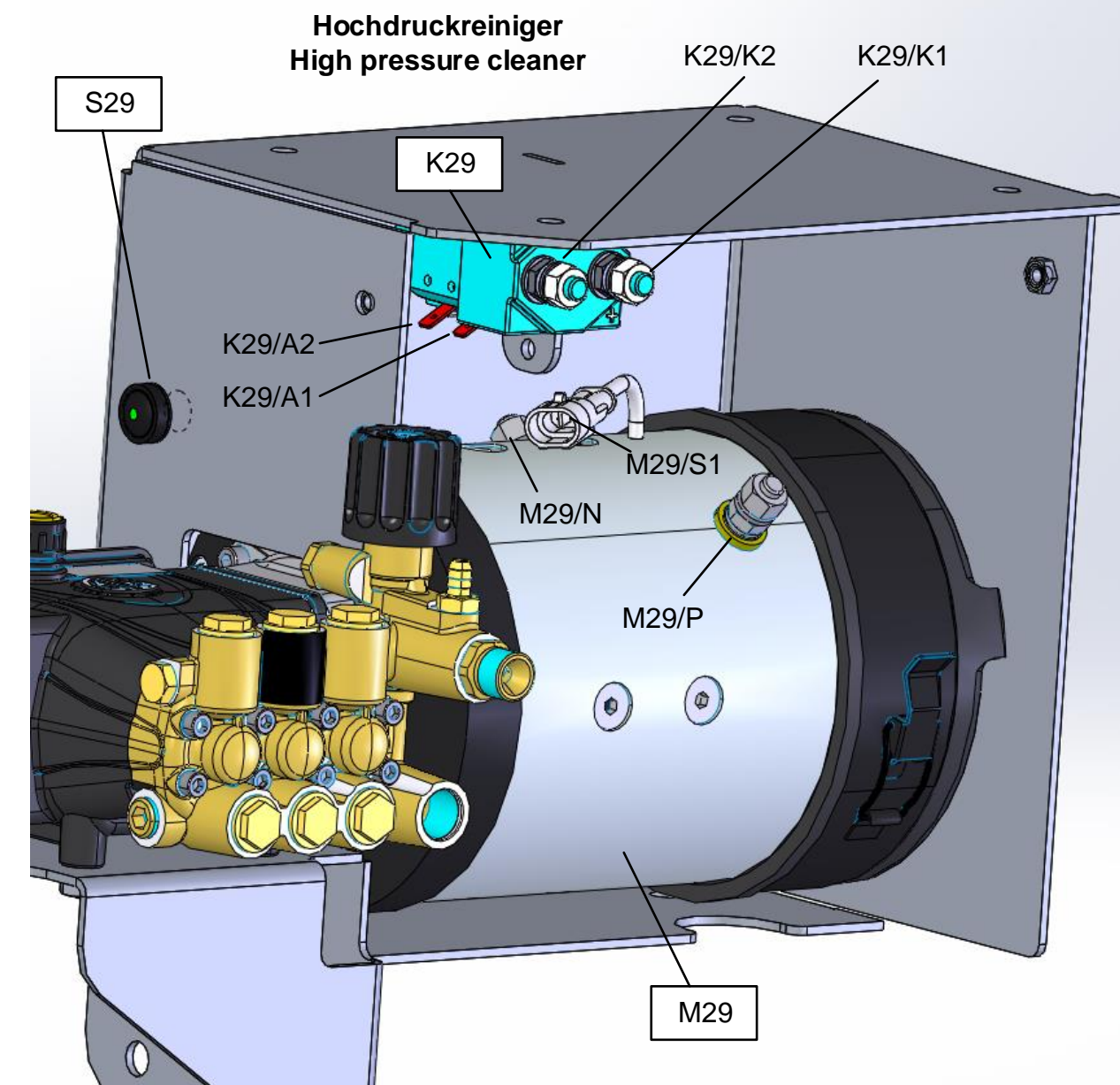
Freigabevermerk:		4	*/*	4537-00	21.07.2022	Ri	Drawn	15.03.2018	Ri	<b>B400 R</b>	Name	Schaltplan B400 R / circuit diagram B400 R				Drawing Number		A2
No.	Number appears	Change No.	Date	Name	Std.		Verified			Replacement for	For this drawing we reserve all rights (acc. DIN ISO 16016)		Engineering Base 6.9.1	Type 7437	Dept. DS	No. of Sh.28	Sheet 25	
										4315-77	Engineering Base 6.9.1		Type 7437	Dept. DS	No. of Sh.28	Sheet 25		



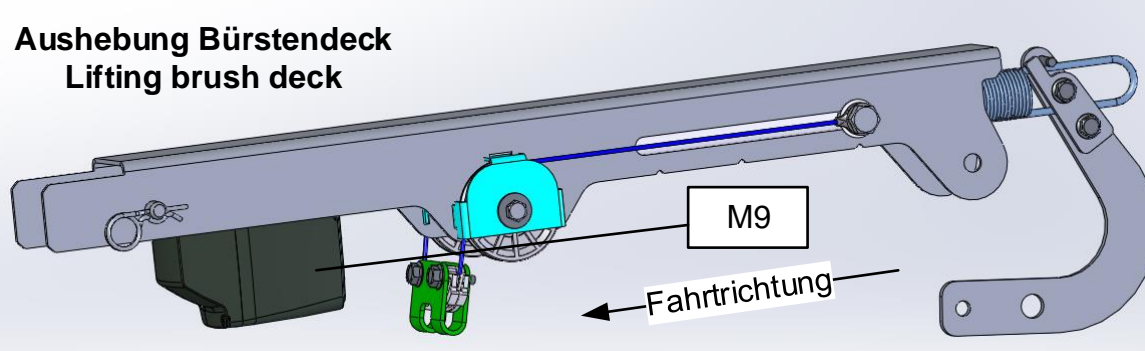
Tellerbürstendeck 1550  
Plate brush deck 1550



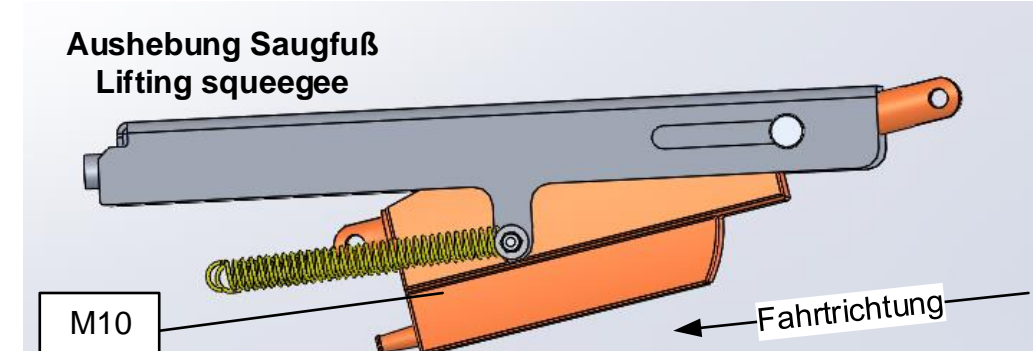
Tellerbürstendeck 1230  
Plate brush deck 1230



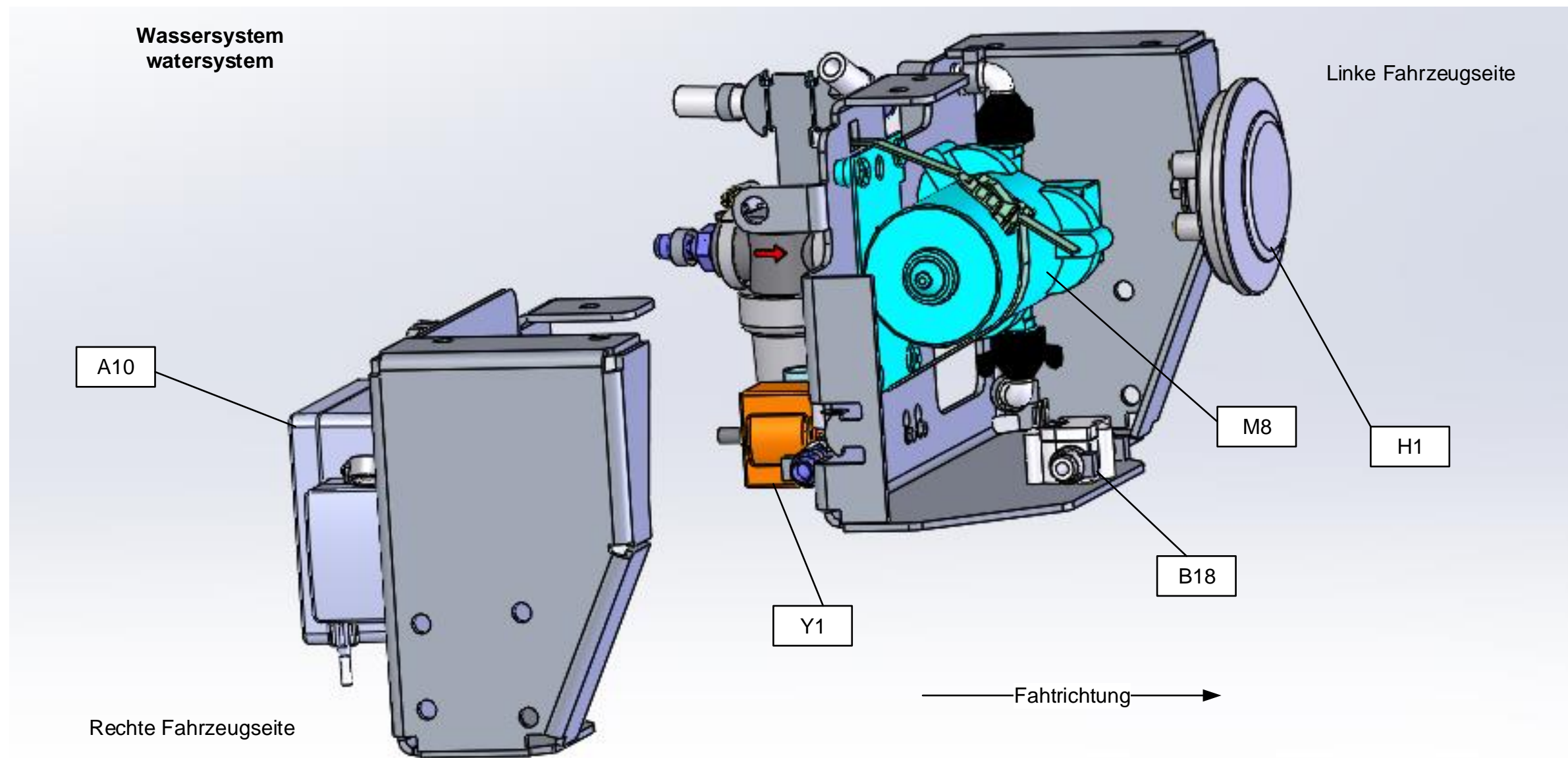
Hochdruckreiniger  
High pressure cleaner



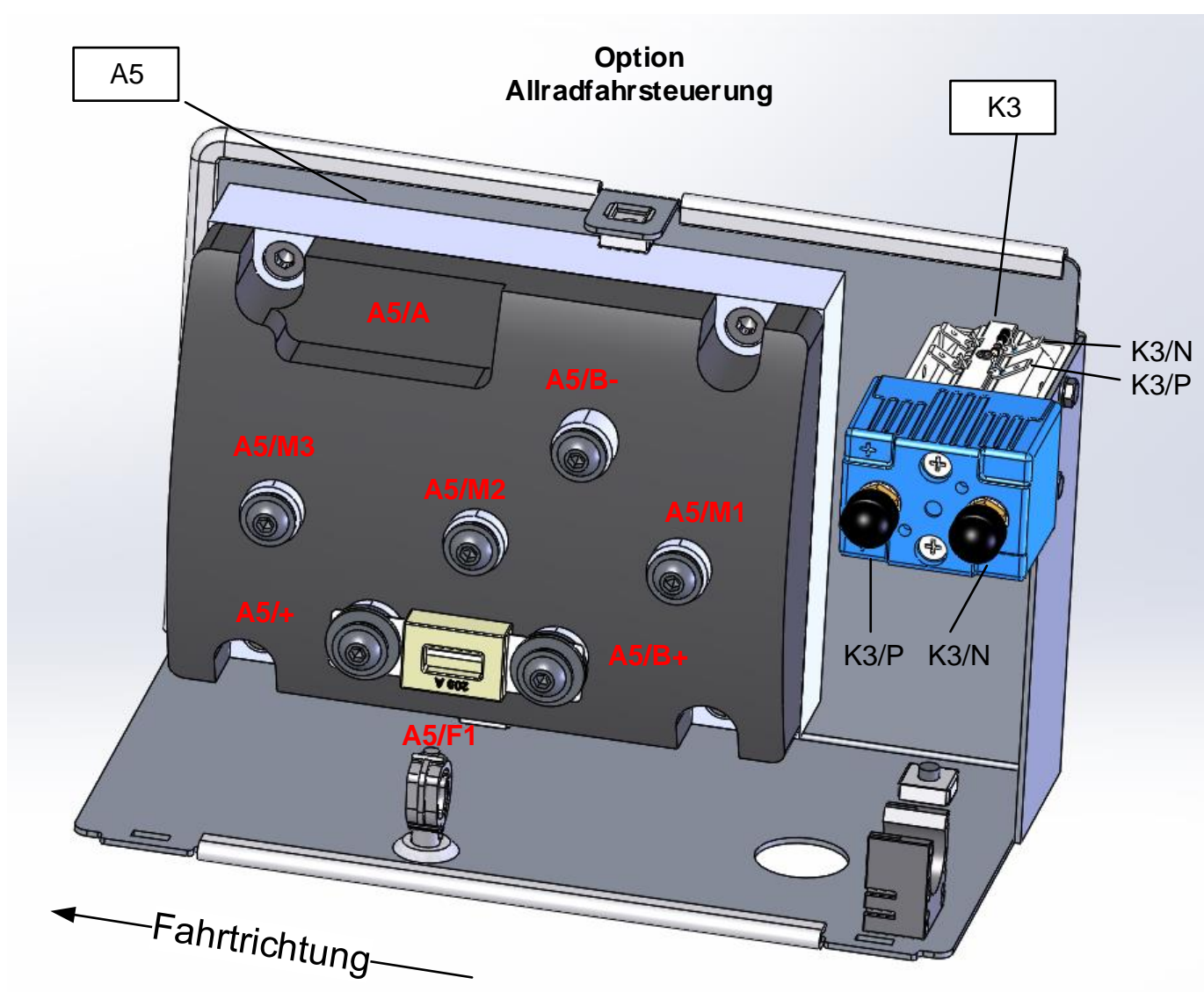
Aushebung Bürstendeck  
Lifting brush deck



Aushebung Saugfuß  
Lifting squeegee



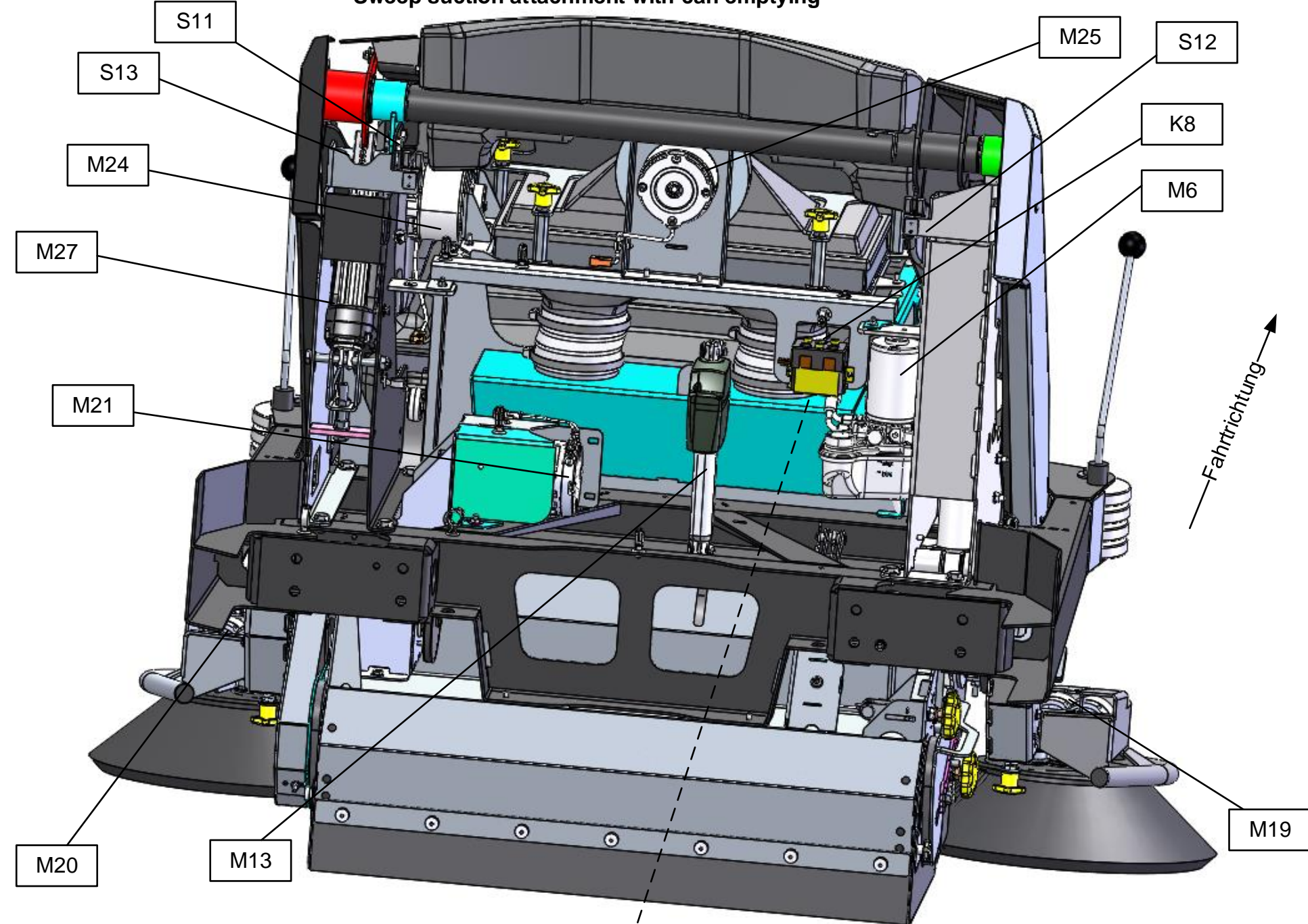
Wassersystem  
watersystem



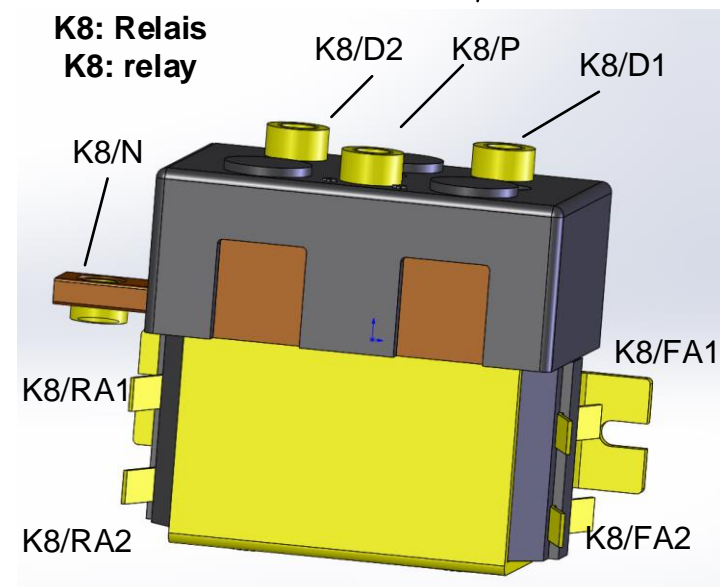
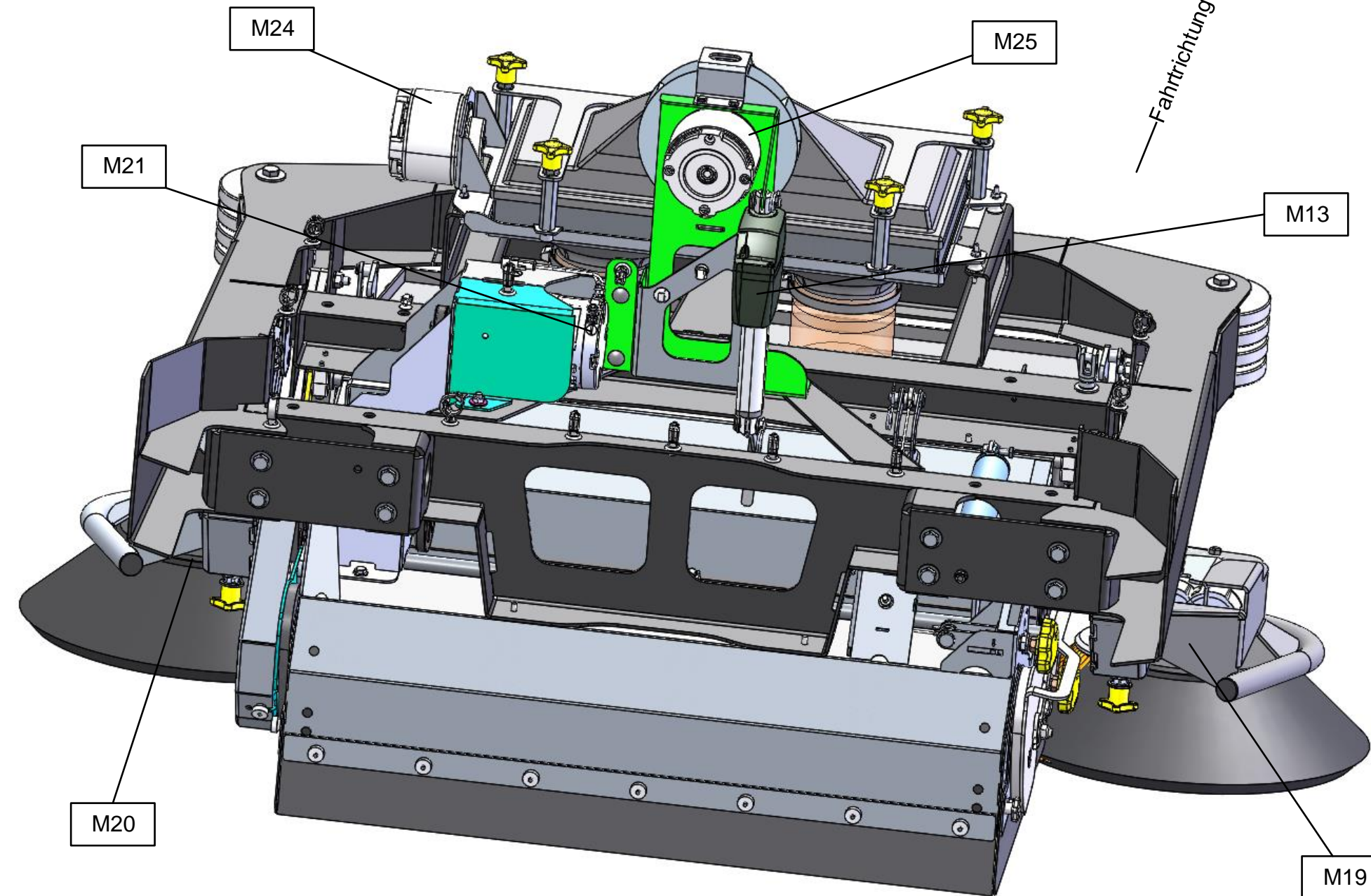
Option  
Allradfahrsteuerung

Freigabevermerk:		4	*/	4537-00	21.07.2022	Ri	Date	Name	B400 R	Name	Hako		Drawing Number	A2
							Drawn	08.11.2019	Ri	Schaltplan B400 R / circuit diagram B400 R		Hako GmbH	91040360	
							Verified			Replacement for		D-23840 Bad Odesloe	No. of Sh.28	Sheet 26
							Std.		4315-77	For this drawing we reserve all rights (acc. DIN ISO 16016)		Engineering Base 6.9.1	Type 7437	Dept. DS

**Kehr-Saugvorsatz mit Hochentleerung**  
Sweep suction attachment with can emptying




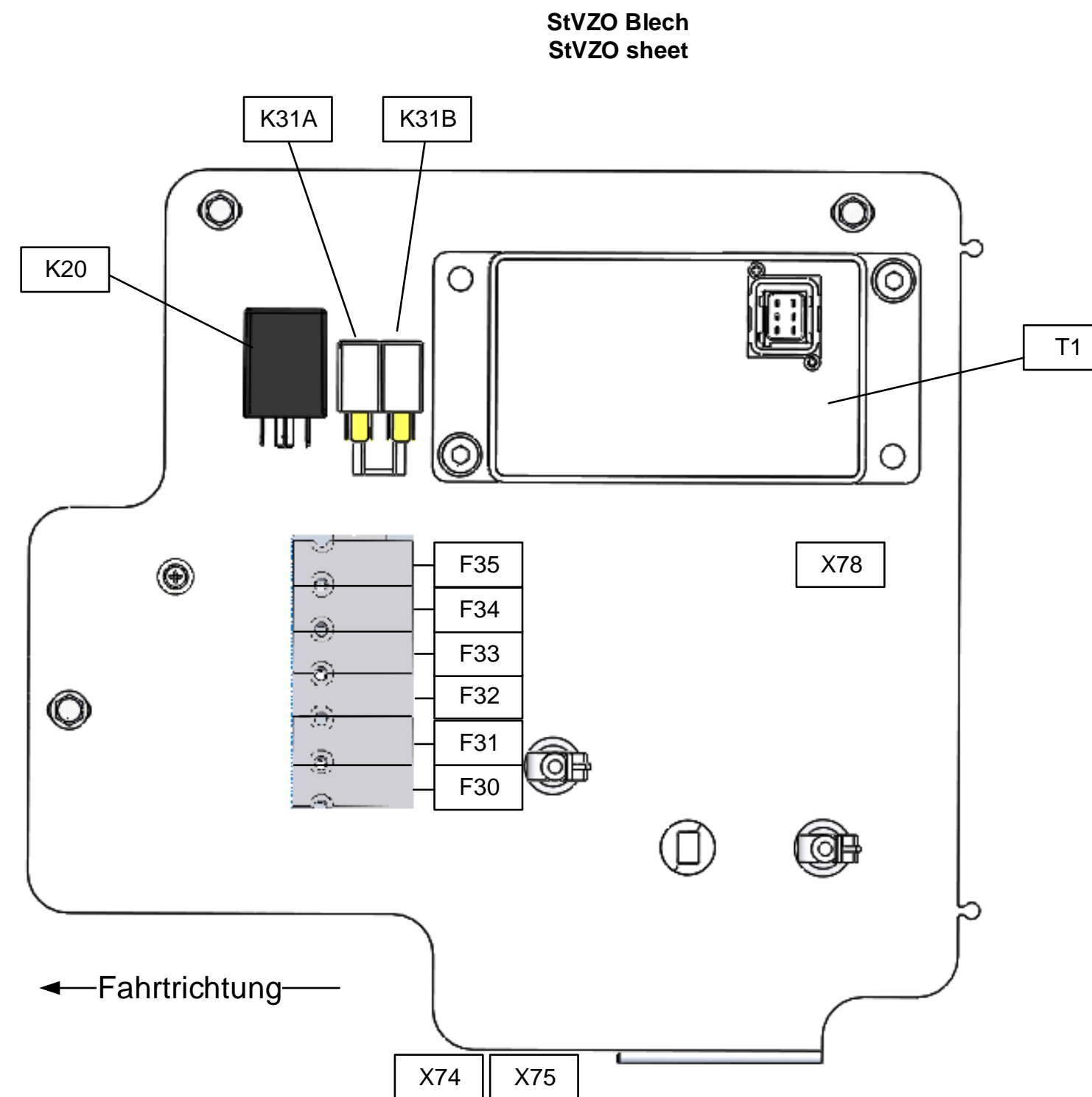
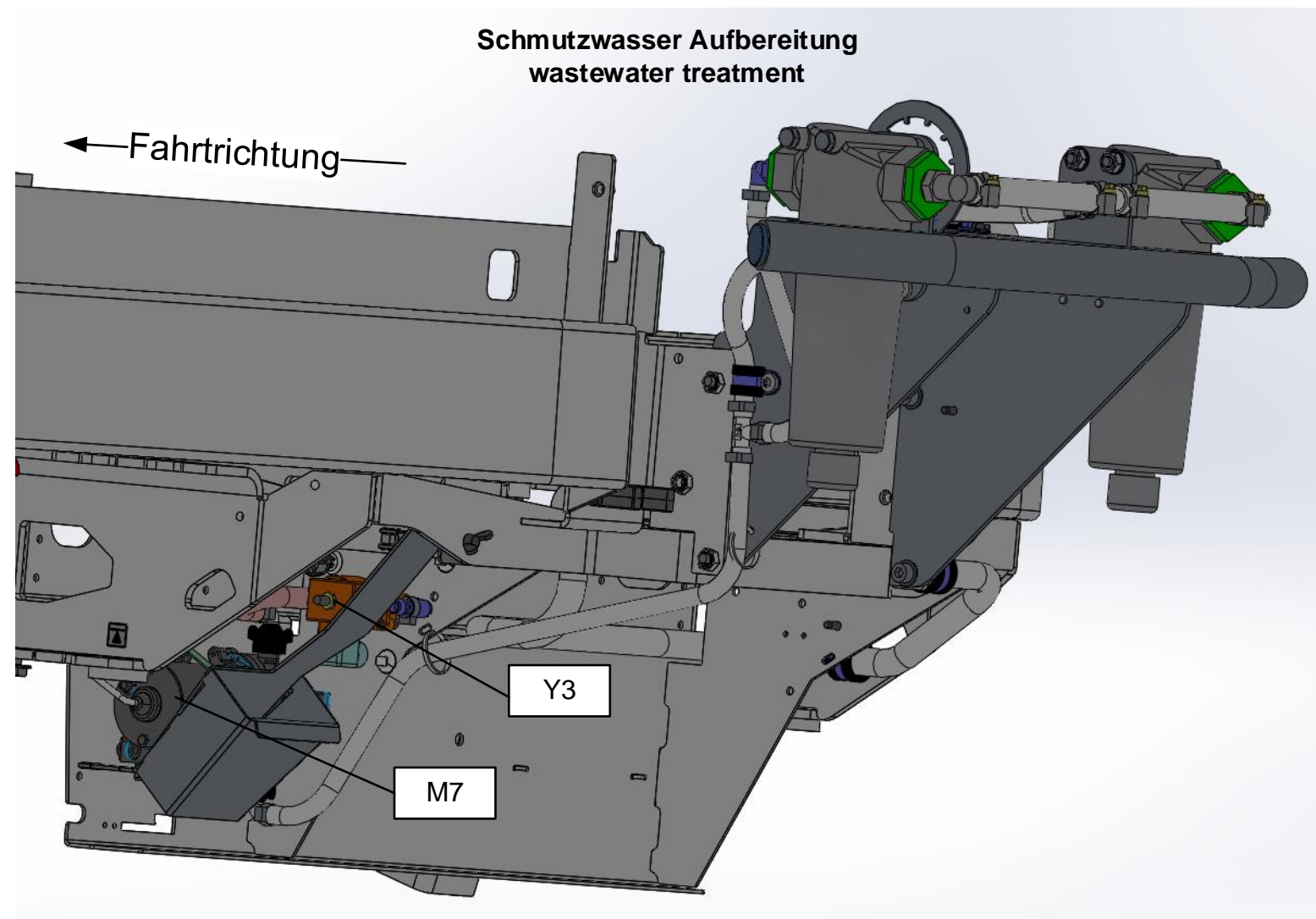
**Kehr-Saugvorsatz**  
Sweep suction attachment




**Kabelbäume:**

W1: 97153803	W60: 97171110	W79: 97162846
W3: 97175889	W61: 97155006	W81: 97175806
W4: 97161780	W64: 97160808	WS2: 97153811
W5: 97154918	W65: 97155337	WS3: 97168744
W10: 97155246	W66: 97154231	WS4: 97154082
W18: 97155311	W68: 97154934	WS6: 97145916
W19: 97155329	W72: 97162796	WS9: 97153837
W28: 97155238	W74: 97163257	WS19: 97155022
W29: 97145791	W75: 97163331	WS68: 97160907
W30: 97162697	W76: 97164495	
W58: 97160253	W77: 97164503	
W59: 97160261	W78: 97166573	

Freigabevermerk:		4	*/	4537-00	21.07.2022	Ri	Date	Name	<b>B400 R</b>	Name	 Hako GmbH D-23840 Bad Odesloe		Drawing Number	A2
		No.	Number appears	Change No.	Date	Name	Std.		Replacement for	Schaltplan B400 R / circuit diagram B400 R		91040360	No. of Sh.28	Sheet 27
								4315-77		For this drawing we reserve all rights (acc. DIN ISO 16016)		Engineering Base 6.9.1	Type 7437	Dept. DS



Freigabevermerk:		4	*/*	4537-00	21.07.2022	Ri	Drawn	03.12.2020	Ri	<b>B400 R</b>	Name	Schaltplan B400 R / circuit diagram B400 R		 Hako GmbH D-23840 Bad Oldesloe		Drawing Number	A2
No.	Number appears	Change No.	Date	Name	Std.		Verified			4315-77	For this drawing we reserve all rights (acc. DIN ISO 16016)		Engineering Base 6.9.1	Type 7437	Dept. DS	No. of Sh. 28	Sheet 28